



SLFS2000

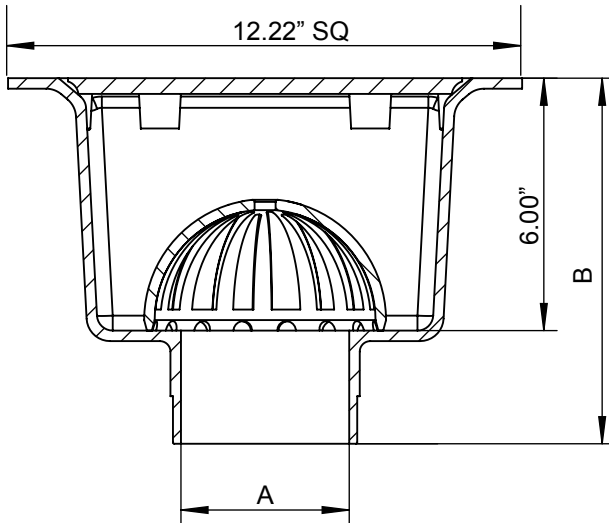
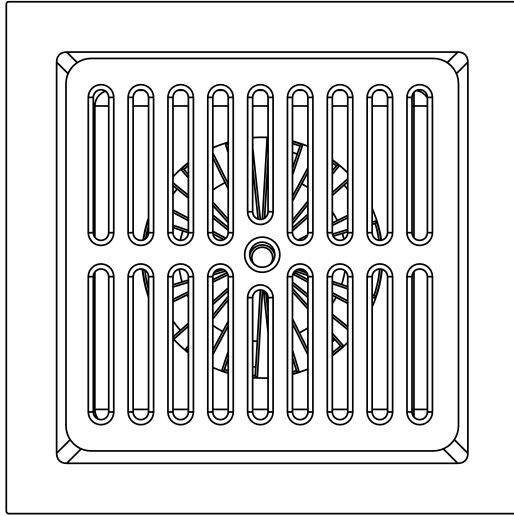
**12" x 12" x 6" DEEP
A.R.E. FLOOR SINK**

LOCATION:

Specification & Function

Specification: SUNLite SLFS2000 12" x 12" x 6" deep cast iron body, light duty loose set grate with slotted openings, white acid resisting enamel coated interior and top complete with aluminum dome strainer.

Function: Used in kitchens, restaurants, grocery stores, hospitals, schools and other areas that require a large volume sanitary drain.



Pipe Size

SUFFIX	DESCRIPTION
2	2" (51) Pipe Size
3	3" (76) Pipe Size
4	4" (102) Pipe Size

Outlet Type

SUFFIX	DESCRIPTION
NH	No Hub
PO	Push On

Options

SUFFIX	OPTIONAL VARIATIONS
-2	Half (1/2) Grate
-3	Three-Quarter (3/4) Grate
-B	Sediment Bucket, Aluminum
-LG	Less Grate

Note: Regularly furnished with Enamel full grate unless otherwise specified.

BODY HEIGHT (B)

Pipe Size	No Hub	Push On
2"	8 11/16"	8"
3"	8 11/16"	8"
4"	8 11/16"	8"

PROJECT:

CONTRACTOR: