

SLFD3210-A

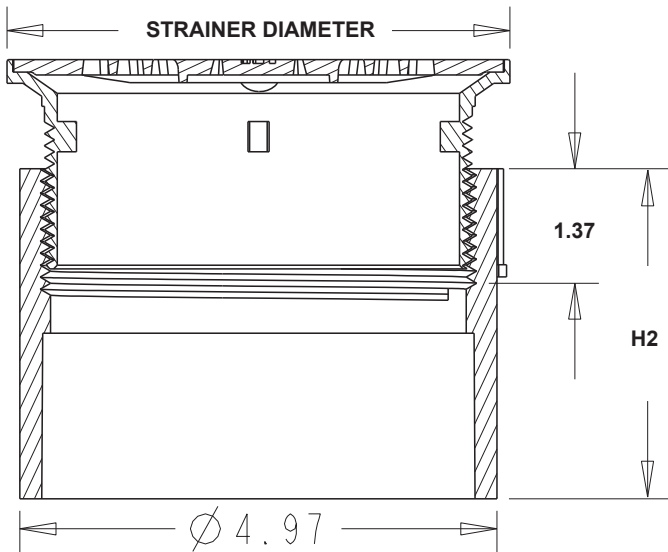
SW FLOOR DRAIN - TYPE "A" ROUND ADJUSTABLE FLOOR STRAINER

LOCATION: _____

Specification & Function

Specification: SUNLite SLFD3210-A Sch 40 PVC outlet floor drain with adjustable round nickel bronze top secured with vandal proof screws.

Function: General purpose floor drain for use in kitchens, showers, restrooms and other finished areas with foot traffic.



Strainer

SUFFIX	DESCRIPTION
-5A	5" (127) Dia., Nickel Bronze
-6A	6" (127) Dia., Nickel Bronze
-7A	7" (127) Dia., Nickel Bronze
-8A	8" (127) Dia., Nickel Bronze

Strainer Desig.	Dimensions in Inches			Body Height (H2)	Approx. Weight Lbs.	Str. Open Area Sq. In.
	Strainer Dia.	Strainer Adjustment				
		Min.	Max.			
-5A	5	0.85	2.1	3.44	3	9.0
-6A	6	0.85	2.1	3.44	3	10.6
-7A	7	2.25	2.5	3.44	4	15.8
-8A	8	1.35	2.6	3.44	5	20.8

* ANSI load class - LD = Light Duty (< 2000 LBS)

PROJECT: _____

CONTRACTOR: _____