

SLFD1000-AL

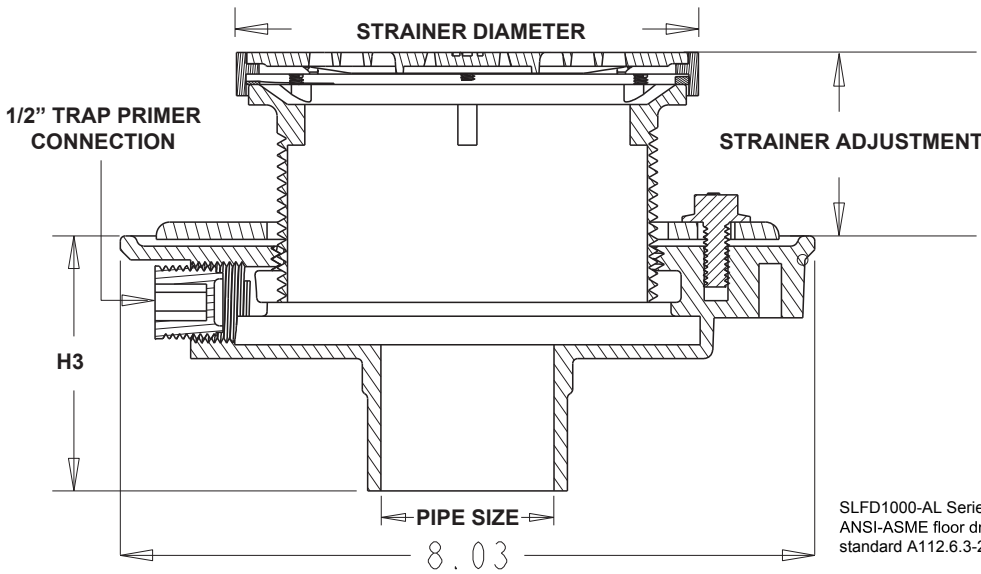
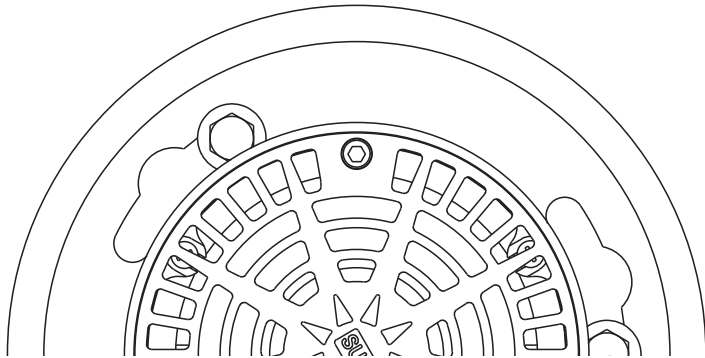
FLOOR DRAIN - ROUND ADJUSTABLE LEVELING STRAINER

LOCATION: _____

Specification & Function

Specification: SUNLite SLFD1000-AL coated cast iron floor drain with anchor flange, weep holes, clamping collar, adjustable leveling round nickel bronze top with secured grate, vandal proof screws, 1/2" NPT trap primer (plugged) and bottom outlet.

Function: General purpose floor drain for use in kitchens, showers, restrooms and other finished areas with foot traffic.



SLFD1000-AL Series meets ANSI-ASME floor drain standard A112.6.3-211

Pipe Size

SUFFIX	DESCRIPTION
2	2" (51) Pipe Size
3	3" (76) Pipe Size
4	4" (102) Pipe Size

Outlet Type

SUFFIX	DESCRIPTION
NH	No Hub
PO	Push On

Strainer

SUFFIX	DESCRIPTION
-5AL	5" (127) Dia., Nickel Bronze

Metric equivalents see chart below. (Dimension) Denotes Millimeters

STRAINER DIAMETER	STRAINER ADJUSTMENT		Free Area	Test * Loading
	MIN	MAX		
5"(127)	1.55	2.40	9.0 in ²	MD

* ANSI load class - MD = Medium Duty (between 2,000 LBS and 4,999 LBS)

Pipe Size	BODY HEIGHT (H3)	
	No Hub	Push On
2"	3.0	3.0
3"	3.0	3.0
4"	3.0	3.0

PROJECT: _____

CONTRACTOR: _____