

SLCO3000-1

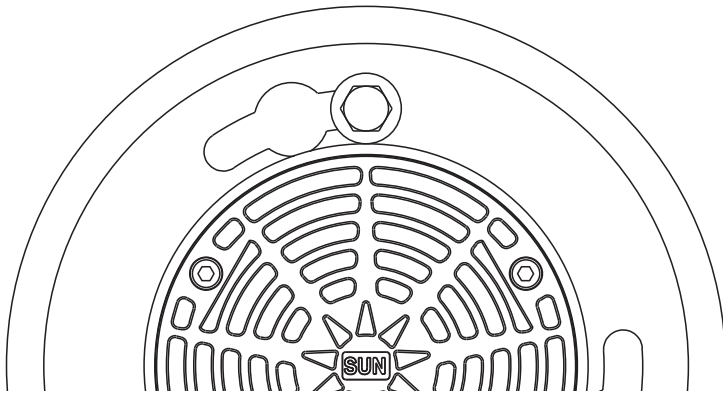
FLOOR CLEANOUT WITH ADJUSTABLE COVER

LOCATION: _____

Specification & Function

Specification: SUNLite SLCO3000-1 Series Adjustable Floor Cleanout with nickel bronze top, cast iron body, anchor flange, secondary "O" ring gasket seal, combined cover & plug top assembly with vandal proof screws and primary gasket seal.

Function: Used in finished floors to provide access to plumbing lines for removal of blockages.

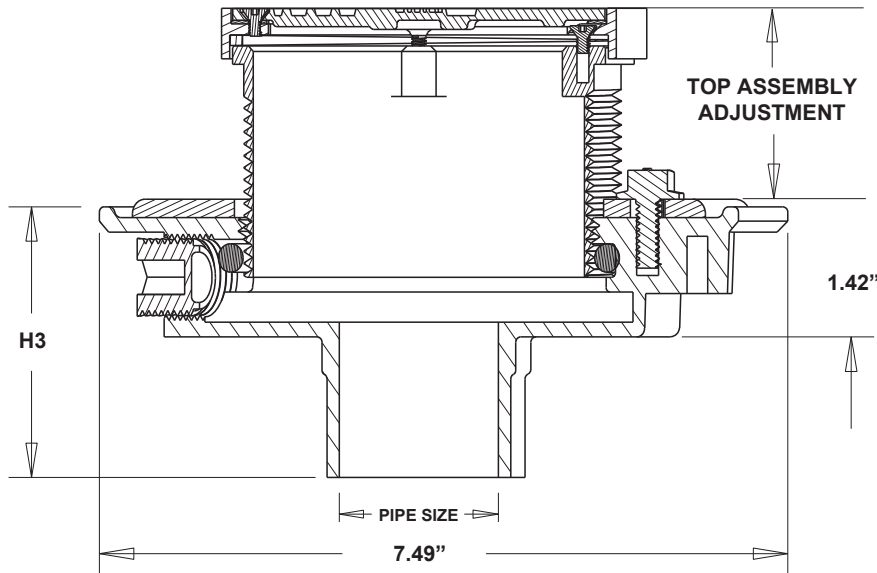


Pipe Size

SUFFIX	DESCRIPTION
2	2" (51) Pipe Size
3	3" (76) Pipe Size
4	4" (102) Pipe Size

Outlet Type

SUFFIX	DESCRIPTION
NH	No Hub
PO	Push On



Metric equivalents see chart below. (Dimension) Denotes Millimeters

Top Diameter	Top Adjustment	
	MIN.	MAX
5" (127)	1.66	2.51

Pipe Size	BODY HEIGHT (H3)	
	No Hub	Push On
2"	3.0	3.0
3"	3.0	3.0
4"	3.0	3.0

* ANSI load class - LD = Light Duty (< 2000 LBS)

PROJECT: _____

CONTRACTOR: _____