



RD4600

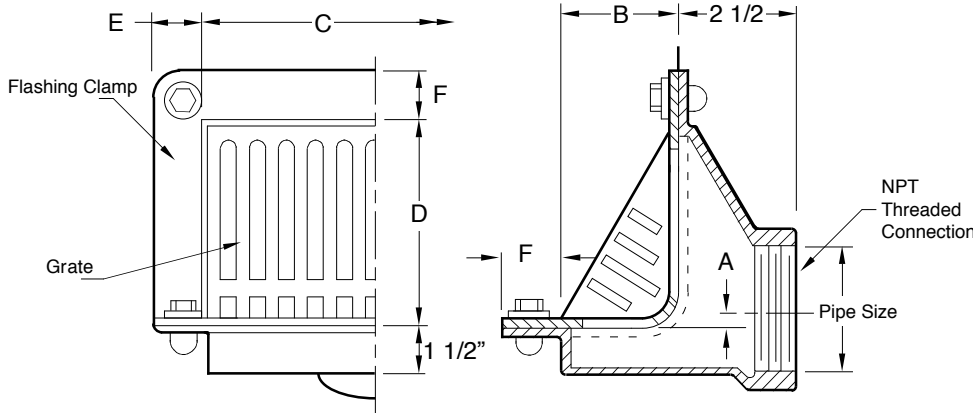
SCUPPER DRAIN

LOCATION: _____

Specification & Function

Specification: SUN® RD4600 Scupper Drain cast iron body aluminum flashing clamp, reversible back or bottom threaded outlet, vandal resistant aluminum angle grate.

Function: Used where roof deck and parapet wall meet, side outlet allows for connection to out side downspout. Angle grate prevents debris from blocking drains. Optional flush grate prevents obstruction to traffic.



Pipe Size

SUFFIX	DESCRIPTION
<input type="checkbox"/> 2	2" (51) Pipe Size
<input type="checkbox"/> 3	3" (76) Pipe Size
<input type="checkbox"/> 4	4" (102) Pipe Size
<input type="checkbox"/> 6	6" (152) Pipe Size
<input type="checkbox"/> 8	8" (203) Pipe Size

Outlet Type

SUFFIX	DESCRIPTION
<input type="checkbox"/> TH	Threaded

Options

SUFFIX	OPTIONAL VARIATIONS
<input type="checkbox"/> -FG	Aluminum Flush Grate
<input type="checkbox"/> -SSM	Stainless Steel Mesh Grate
<input type="checkbox"/> -G	Gavanized Body & Grate

Pipe Size	Dimension in Inches						Grate Free Area	
	A	B	C	D	E	F	Flush	Angle
2"	1 1/2"	5 3/4"	6"	5 3/4"	7/8"	1"	30 sq. in.	30 sq. in.
3"	1"	5 3/4"	6"	5 3/4"	7/8"	1"	30 sq. in.	30 sq. in.
4"	1/2"	5 3/4"	6"	5 3/4"	7/8"	1"	30 sq. in.	30 sq. in.
6"	7/8"	8 1/8"	10 1/8"	8 1/8"	1 1/4"	1 1/4"	71 sq. in.	58 sq. in.
8"	1 7/8"	8 1/8"	10 1/8"	8 1/8"	1 1/4"	1 1/4"	71 sq. in.	58 sq. in.

PROJECT: _____

CONTRACTOR: _____