

RD4560

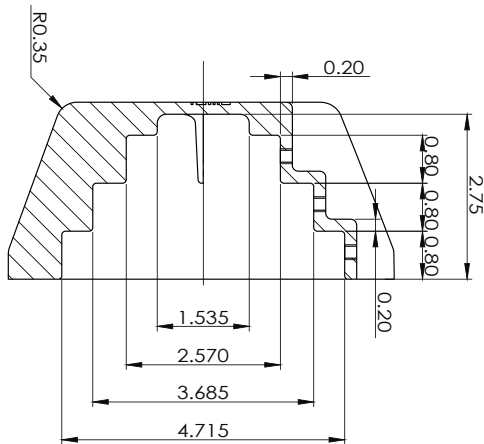
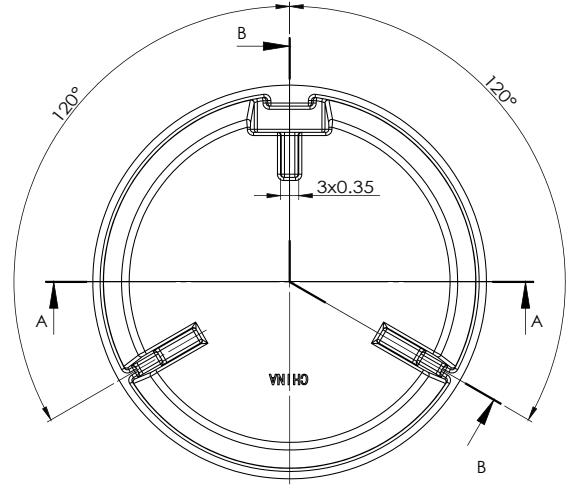
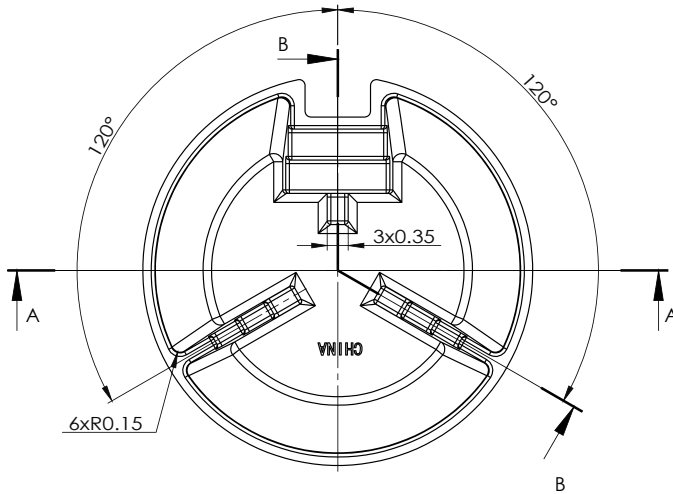
CAST IRON VENT CAP

LOCATION:

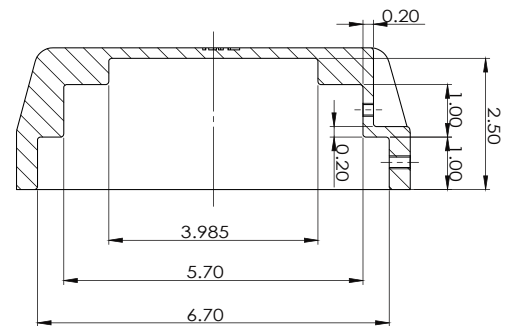
Specification & Function

Specification: SUN® RD4560 Vandal resistant coat cast iron hooded vent cap.

Function: Recommended for all vents which terminates above the roof surface. Vandal resistant design helps debris from entering the vent pipe system by accident or maliciously which could cause stoppage of the drainage system.



RD4560-1



RD4560-2

Note:
 1. For Pipe Sizes 1 1/2" thru 4" Specify RD4560-1.
 2. For Pipe Sizes 5" thru 6" Specify RD4560-2.

PROJECT:

CONTRACTOR: