

RD4500

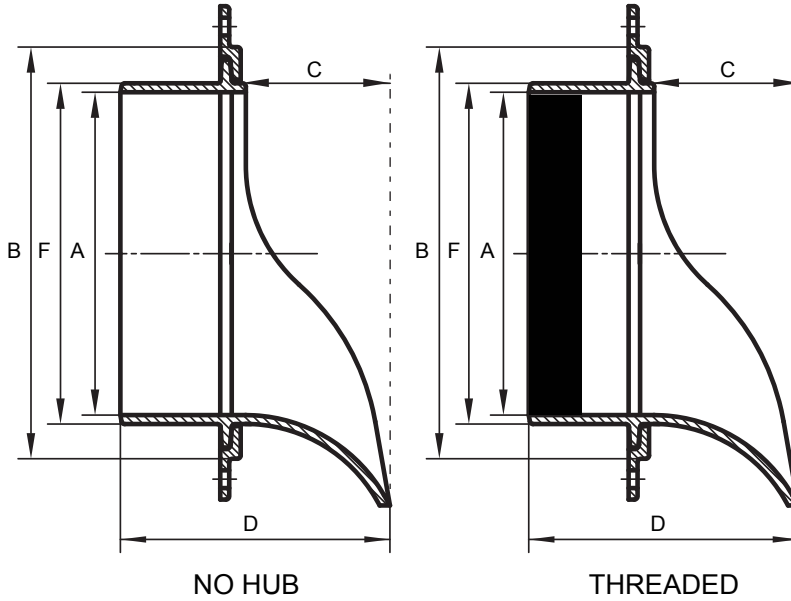
DOWNPOUT NOZZLE

LOCATION: _____

Specification & Function

Specification: SUN® RD4500 Downspout Nozzle, all nickel bronze body, optional threaded or no hub outlet with anchor flange and outlet nozzle.

Function: Used as a parapet overflow at the base of a wall where rain water is discharged into the ground. The nozzle directs water away from the wall to prevent staining.



Pipe Size

SUFFIX	DESCRIPTION
<input type="checkbox"/> 3	3" (76) Pipe Size
<input type="checkbox"/> 4	4" (102) Pipe Size
<input type="checkbox"/> 6	6" (152) Pipe Size
<input type="checkbox"/> 8	8" (203) Pipe Size

Outlet Type

SUFFIX	DESCRIPTION
<input type="checkbox"/> NH	No Hub
<input type="checkbox"/> TH	Threaded

Options

SUFFIX	OPTIONAL VARIATIONS
<input type="checkbox"/> -BS	Stainless Steel Birdscreen

Pipe Size A	Dimension in Inches					Approx. Wt. Lbs.
	B	C	D	F		
				NH	TH	
3"	6"	2.75"	5.50"	2.96"	3.875"	4
4"	7"	2.75"	5.50"	3.94"	4.875"	5
6"	9"	3.00"	5.75"	5.94"	6.875"	7
8"	11"	3.00"	5.75"	7.94"	8.875"	10

PROJECT: _____

CONTRACTOR: _____