



RD4300

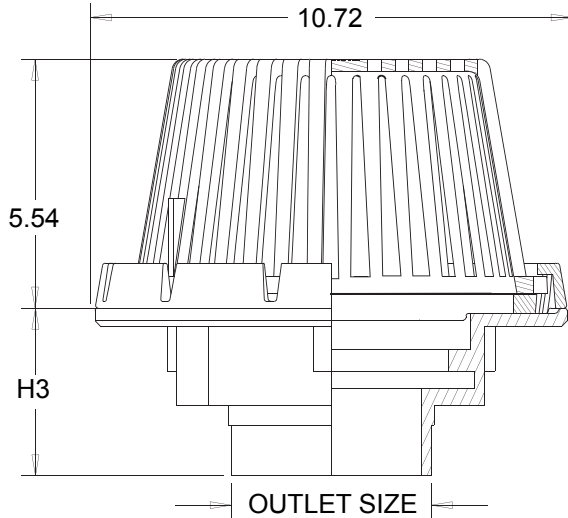
10" DIA. ROOF DRAIN

LOCATION:

Specification & Function

Specification: SUN® RD4300 10" diameter roof drain, epoxy coated cast iron body with combination membrane flashing clamp/gravel guard and low profile cast iron dome.

Function: Used on any type of flat roofs. Low profile dome prevents debris from entering the drain line. The anchor flange and membrane clamp provide a secure grip of membrane and roof flashing materials.



Pipe Size

SUFFIX	DESCRIPTION
<input type="checkbox"/> 2	2" (51) Pipe Size
<input type="checkbox"/> 3	3" (76) Pipe Size
<input type="checkbox"/> 4	4" (102) Pipe Size

Outlet Type

SUFFIX	DESCRIPTION
<input type="checkbox"/> NH	No Hub

Options

SUFFIX	OPTIONAL VARIATIONS
<input type="checkbox"/> -AR	Acid Resistant Epoxy Coated
<input type="checkbox"/> -C	Underdeck Clamp
<input type="checkbox"/> -DP	Top Mount Deck Plate
<input type="checkbox"/> -G	Galvanized Cast Iron
<input type="checkbox"/> -GD	Galvanized Cast Iron Dome
<input type="checkbox"/> -R	Roof Sump Receiver
<input type="checkbox"/> -W2	2" High Internal Water Dam
<input type="checkbox"/> -LD	Less Dome
<input type="checkbox"/> -E	Solid Extension (Specify Height)
<input type="checkbox"/> -RE	Adjustable Extension and Top Deck Plate

Pipe Size (In.)	Approx. Wt. Lbs.	Dome Open Area Sq. In.
2 -3 - 4	30	77.2

PROJECT:

CONTRACTOR: