

# RD4200-C

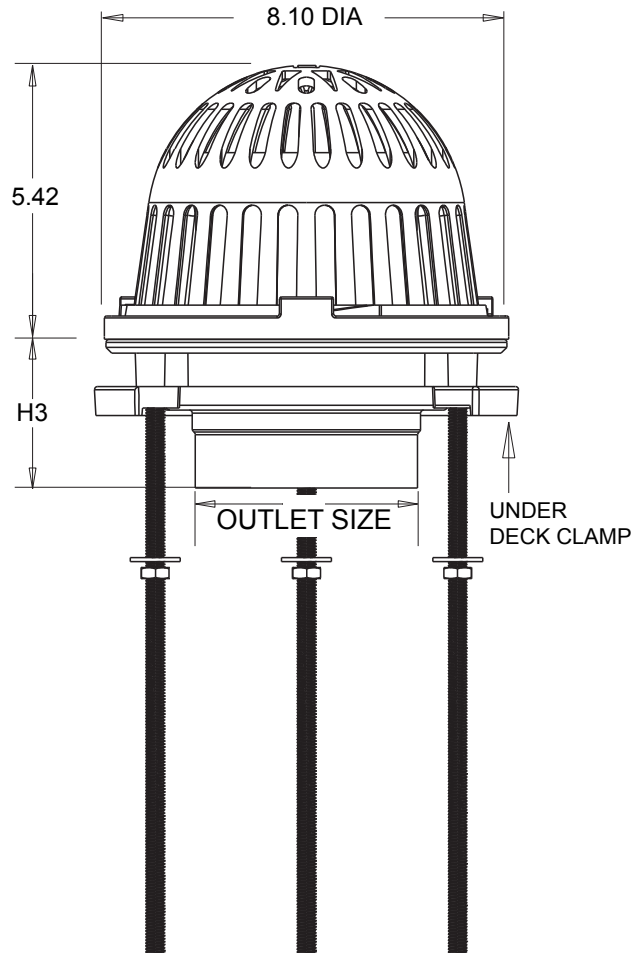
## 8" DIA. ROOF DRAIN - UNDERDECK CLAMP

LOCATION:

### Specification & Function

**Specification:** SUN® RD4200-C 8" diameter roof drain, coated cast iron body with combination membrane flashing clamp/gravel guard, aluminum dome and underdeck clamp.

**Function:** Used on any type of flat roofs and gutters. Aluminum dome prevents debris from entering the drain line. The anchor flange and membrane clamp provide a secure grip of membrane and roof flashing materials.



### Pipe Size

SUFFIX	DESCRIPTION
<input type="checkbox"/> 2	2" (51) Pipe Size
<input type="checkbox"/> 3	3" (76) Pipe Size
<input type="checkbox"/> 4	4" (102) Pipe Size

### Outlet Type

SUFFIX	DESCRIPTION
<input type="checkbox"/> IC	Inside Caulk
<input type="checkbox"/> NH	No Hub
<input type="checkbox"/> *PO	Push On
<input type="checkbox"/> TH	Threaded

### Options

SUFFIX	OPTIONAL VARIATIONS
<input type="checkbox"/> -AR	Acid Resistant Epoxy Coated
<input type="checkbox"/> -C	Underdeck Clamp
<input type="checkbox"/> -W2	Internal water dam
<input type="checkbox"/> -G	Galvanized Cast Iron
<input type="checkbox"/> -R	Roof Sump Receiver
<input type="checkbox"/> -VR	Vandal Resistant Dome
<input type="checkbox"/> -90	Side Outlet Body (NH, TH Only)

\* Not recommended for roof drain application.

Pipe Size (In.)	Approx. Wt. Lbs.	Dome Open Area Sq. In.
2 -3 - 4	10	38.9

Outlet Type	Outlet Desig. Pipe Size	Body Height H3 (In.)
Inside Caulk	2IC, 3IC, 4IC	3.92
No Hub	2NH, 3NH, 4NH	3.00
*Push On	2PO, 3PO, 4PO	3.00
Threaded	2TH, 3TH, 4TH	2.50

PROJECT:

CONTRACTOR: