

RD4200-90-R

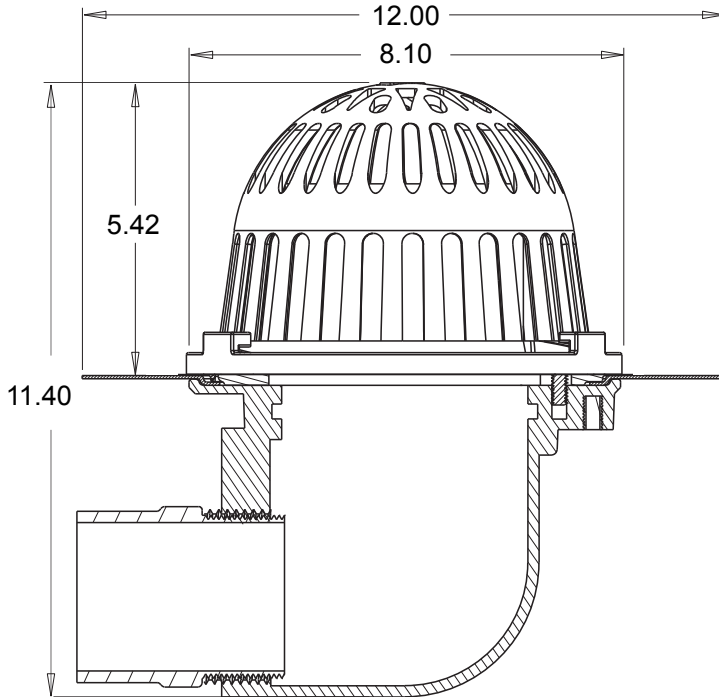
8" DIA. ROOF DRAIN
SIDE OUTLET
SUMP RECEIVER

LOCATION: _____

Specification & Function

Specification: SUN® RD4200-90-R 8" diameter roof drain with side outlet, coated cast iron body with combination membrane flashing clamp/gravel guard, aluminum dome, and sump receiver.

Function: Used on any type of flat roofs and gutters. Aluminum dome prevents debris from entering the drain line. The anchor flange and membrane clamp provide a secure grip of membrane and roof flashing materials.



Pipe Size

SUFFIX	DESCRIPTION
2	2" (51) Pipe Size
3	3" (76) Pipe Size
4	4" (102) Pipe Size

Outlet Type

SUFFIX	DESCRIPTION
NH	No Hub
TH	Threaded

Options

SUFFIX	OPTIONAL VARIATIONS
<input type="checkbox"/> -AR	Acid Resistant Epoxy Coated
<input type="checkbox"/> -W2	Internal water dam
<input type="checkbox"/> -C	Underdeck Clamp
<input type="checkbox"/> -G	Galvanized Cast Iron

Pipe Size (In.)	Approx. Wt. Lbs.	Dome Open Area Sq. In.
2 -3 - 4	10	38.9

PROJECT: _____

CONTRACTOR: _____