

RD4020

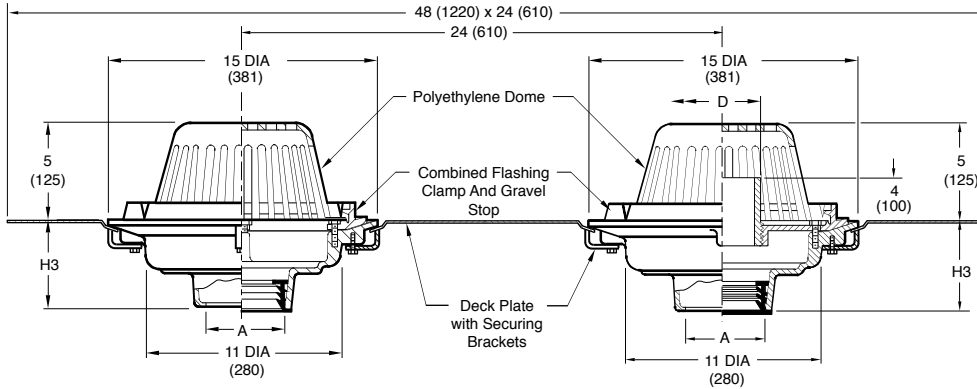
COMBINATION ROOF DRAIN AND OVERFLOW DRAIN

LOCATION: _____

Specification & Function

Specification: Durable Coated Cast Iron Bodies with Cast Iron Domes, Combined Flashing Clamp and Gravel Stop for Roof Drain and Combined Flashing Clamp and 3 1/2" (89) High Internal Water Dam for Overflow Drain. Top Mount Deck Plate with securing holes to receiving both Drains.

Function: For use on flat roofs where an emergency overflow drain can be used in combination with a standard roof drain. Dual drain deck plate with securing holes to enable both drains to be secured to the roof deck from the top surface of the roof.



Pipe Size

SUFFIX	DESCRIPTION
<input type="checkbox"/> 2	2" (51) Pipe Size
<input type="checkbox"/> 3	3" (76) Pipe Size
<input type="checkbox"/> 4	4" (102) Pipe Size
<input type="checkbox"/> 5	5" (127) Pipe Size
<input type="checkbox"/> 6	6" (152) Pipe Size
<input type="checkbox"/> 8	8" (203) Pipe Size

Outlet Type

SUFFIX	DESCRIPTION
<input type="checkbox"/> IC	Inside Caulk
<input type="checkbox"/> NH	No Hub
<input type="checkbox"/> TH	Threaded (2" - 6")

Options

SUFFIX	OPTIONAL VARIATIONS
<input type="checkbox"/> -AD	Aluminum Dome
<input type="checkbox"/> -AE	Adjustable Extension
<input type="checkbox"/> -AR	Acid Resistant Epoxy Coated
<input type="checkbox"/> -C	Underdeck Clamp
<input type="checkbox"/> -CID	Cast Iron Dome
<input type="checkbox"/> -D	2" External Water Dam
<input type="checkbox"/> -G	Galvanized Cast Iron
<input type="checkbox"/> -GD	Galvanized Cast Iron Dome
<input type="checkbox"/> -GG	2" High SS Gravel Guard
<input type="checkbox"/> -SS	Stainless Steel Mesh Dome
<input type="checkbox"/> -W4	4" High Internal Water Dam
<input type="checkbox"/> -VR	Vandal Resistant Dome
<input type="checkbox"/> -2PE	2" High SS Perforated Extension
<input type="checkbox"/> -4PE	4" High SS Perforated Extension

Outlet Type	Outlet Desig. Pipe Size	Body Height H3 (In.)
Inside Caulk	2IC, 3IC, 4IC, 6IC	5.30(135)
	8IC	5.44(138)
No Hub	2NH	5.25(133)
	3NH, 4NH	4.60(117)
	5NH, 6NH, 8NH	5.25(133)
Threaded	2TH, 3TH, 4TH, 5TH, 6TH	3.75(95)

NOTE: Dimensions shown in parentheses are in millimeters.

D	
Outlet Size	Standpipe (Pipe Size)
2", 3", 4"	4 (100)
5", 6"	6 (150)

Pipe Size (In.)	Approx. Wt. Lbs.	Dome Open Area Sq. In.
2 - 3 - 4	28	105.36
5 - 6	28	

PROJECT: _____

CONTRACTOR: _____