

# RD4010

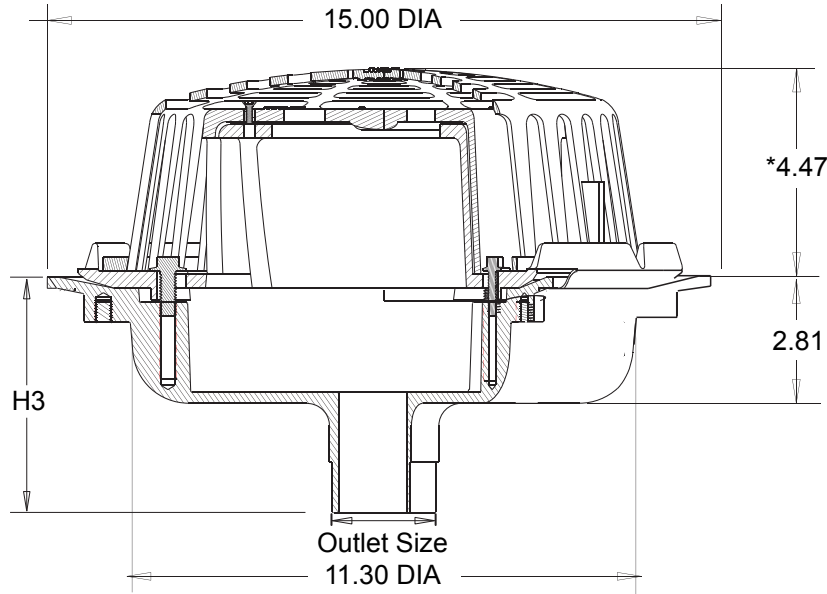
## 15" DIA. ADJUSTABLE WEIR ROOF DRAIN

LOCATION: \_\_\_\_\_

### Specification & Function

**Specification:** SUN® RD4010 15" diameter adjustable weir roof drain for sloped roof construction, coated cast iron body with combination flashing clamp/gravel guard and low profile poly dome.

**Function:** Used on any type of flat roofs. Low profile dome prevents debris from entering the drain line. The flashing flange and membrane clamp provide a secure grip of membrane and roof flashing materials. Adjustable weir allows versatility for location and sizing.



Outlet Type	Outlet Desig. Pipe Size	Body Height H3 (In.)
Inside Caulk	2IC, 3IC, 4IC, 6IC	5.30
	8IC	5.44
No Hub	2NH	5.25
	3NH, 4NH	4.60
	5NH, 6NH, 8NH	5.25
**Push On	2PO, 3PO, 4PO	4.60
	6PO	5.45
Threaded	2TH, 3TH, 4TH, 5TH, 6TH	3.75

\* Dome height to be 5.00" when W4 is specified.

### Pipe Size

SUFFIX	DESCRIPTION
<input type="checkbox"/> 2	2" (51) Pipe Size
<input type="checkbox"/> 3	3" (76) Pipe Size
<input type="checkbox"/> 4	4" (102) Pipe Size
<input type="checkbox"/> 5	5" (127) Pipe Size
<input type="checkbox"/> 6	6" (152) Pipe Size
<input type="checkbox"/> 8	8" (203) Pipe Size

### Outlet Type

SUFFIX	DESCRIPTION
<input type="checkbox"/> IC	Inside Caulk
<input type="checkbox"/> NH	No Hub
<input type="checkbox"/> ** PO	Push On
<input type="checkbox"/> TH	Threaded (2" - 6")

### Options

SUFFIX	OPTIONAL VARIATIONS
<input type="checkbox"/> -AD	Aluminum Dome
<input type="checkbox"/> -AE	Adjustable Extension
<input type="checkbox"/> -AR	Acid Resistant Epoxy Coated
<input type="checkbox"/> -C	Underdeck Clamp
<input type="checkbox"/> -CID	Cast Iron Dome
<input type="checkbox"/> -D	2" External Water Dam
<input type="checkbox"/> -DP	Top Mount Deck Plate
<input type="checkbox"/> -G	Galvanized Cast Iron
<input type="checkbox"/> -GD	Galvanized Cast Iron Dome
<input type="checkbox"/> -GG	4" High SS Perforated Gravel Guard
<input type="checkbox"/> -R	Roof Sump Receiver
<input type="checkbox"/> -90	Side Outlet Body (Threaded 2", 3", 4" only)
<input type="checkbox"/> -90N	90° No Hub Side Outlet Body (2" - 4" Only)

\*\* Not recommended for Roof Drain applications.

Pipe Size (In.)	Approx. Wt. Lbs.	Dome Open Area Sq. In.
2 - 3 - 4	41	105.36
5 - 6	41	
8	40	

PROJECT: \_\_\_\_\_

CONTRACTOR: \_\_\_\_\_