

RD4000-C

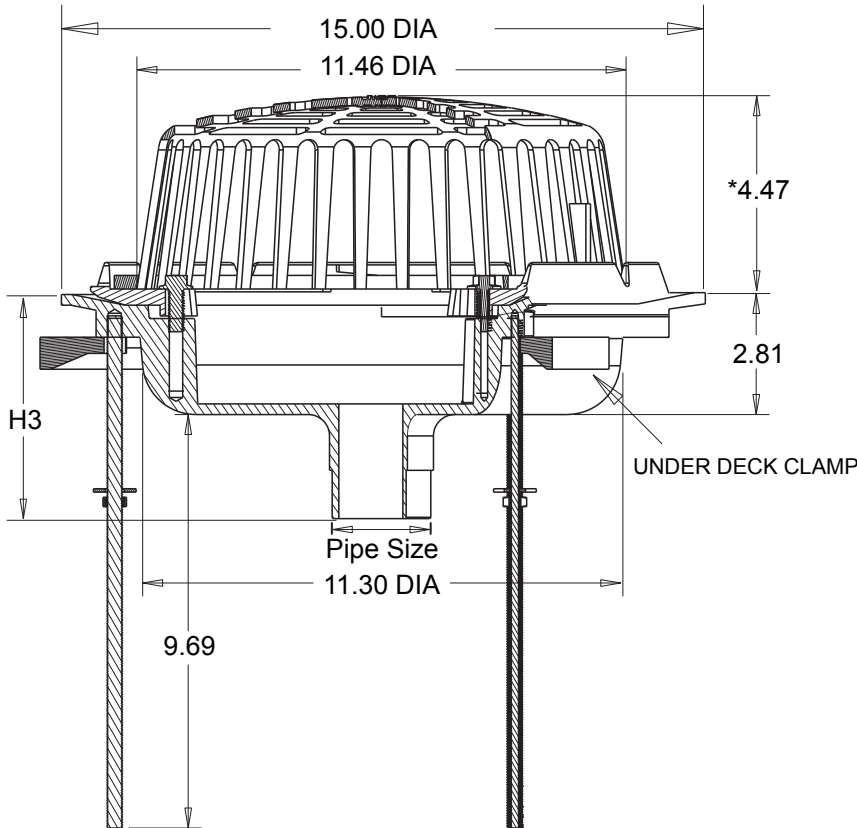
15" DIA. ROOF DRAIN – UNDERDECK CLAMP

LOCATION: _____

Specification & Function

Specification: SUN® RD4000-C 15" diameter roof drain, epoxy coated cast iron body with combination membrane flashing clamp/gravel guard, low profile poly dome and underdeck clamp

Function: Used on any type of flat roofs. Low profile dome prevents debris from entering the drain line. The anchor flange and membrane clamp provide a secure grip of membrane and roof flashing materials.



| Outlet Type | Outlet Desig. Pipe Size | Body Height H3 (In.) |
|--------------|-------------------------|----------------------|
| Inside Caulk | 2IC, 3IC, 4IC, 6IC | 5.30 |
| | 8IC | 5.44 |
| No Hub | 2NH | 5.25 |
| | 3NH, 4NH | 4.60 |
| | 5NH, 6NH, 8NH | 5.25 |
| ΔPush On | 2PO, 3PO, 4PO | 4.60 |
| | 6PO | 5.45 |
| Threaded | 2TH, 3TH, 4TH, 5TH, 6TH | 3.75 |

* Dome height to be 5.00" when W4 is specified.

Pipe Size

| SUFFIX | DESCRIPTION |
|----------------------------|--------------------|
| <input type="checkbox"/> 2 | 2" (51) Pipe Size |
| <input type="checkbox"/> 3 | 3" (76) Pipe Size |
| <input type="checkbox"/> 4 | 4" (102) Pipe Size |
| <input type="checkbox"/> 5 | 5" (127) Pipe Size |
| <input type="checkbox"/> 6 | 6" (152) Pipe Size |
| <input type="checkbox"/> 8 | 8" (203) Pipe Size |

Outlet Type

| SUFFIX | DESCRIPTION |
|------------------------------|--------------------|
| <input type="checkbox"/> IC | Inside Caulk |
| <input type="checkbox"/> NH | No Hub |
| <input type="checkbox"/> ΔPO | Push On |
| <input type="checkbox"/> TH | Threaded (2" - 6") |

Options

| SUFFIX | OPTIONAL VARIATIONS |
|--------------------------------|---|
| <input type="checkbox"/> -AD | Aluminum Dome |
| <input type="checkbox"/> -AE | Adjustable Extension |
| <input type="checkbox"/> -AR | Acid Resistant Epoxy Coated |
| <input type="checkbox"/> -C | Underdeck Clamp |
| <input type="checkbox"/> -CID | Cast Iron Dome |
| <input type="checkbox"/> -D | 2" External Water Dam |
| <input type="checkbox"/> -DP | Top Mount Deck Plate |
| <input type="checkbox"/> -G | Galvanized Cast Iron |
| <input type="checkbox"/> -GD | Galvanized Cast Iron Dome |
| <input type="checkbox"/> -GG | 4" High SS Perforated Gravel Guard |
| <input type="checkbox"/> -R | Roof Sump Receiver |
| <input type="checkbox"/> **-W4 | 4" High Internal Water Dam |
| <input type="checkbox"/> -2PE | 2" High SS Perforated Extension |
| <input type="checkbox"/> -4PE | 4" High SS Perforated Extension |
| <input type="checkbox"/> -90 | Side Outlet Body (Threaded 2", 3", 4" only) |
| <input type="checkbox"/> -90N | 90° No Hub Side Outlet Body (2" - 4" Only) |
| <input type="checkbox"/> -SS | Stainless Steel Mesh Dome |
| <input type="checkbox"/> -VR | Vandal Resistant Dome |

** 4" High Internal Waterdam can be cut by others to 3" or 2" water dam height as marked on standpipe.

Δ Not recommended for Roof Drain applications.

| Pipe Size (In.) | Approx. Wt. Lbs. | Dome Open Area Sq. In. |
|-----------------|------------------|------------------------|
| 2 - 3 - 4 | 53 | 105.36 |
| 5 - 6 | 53 | |
| 8 | 50 | |

PROJECT: _____

CONTRACTOR: _____