

RD4000-90-C

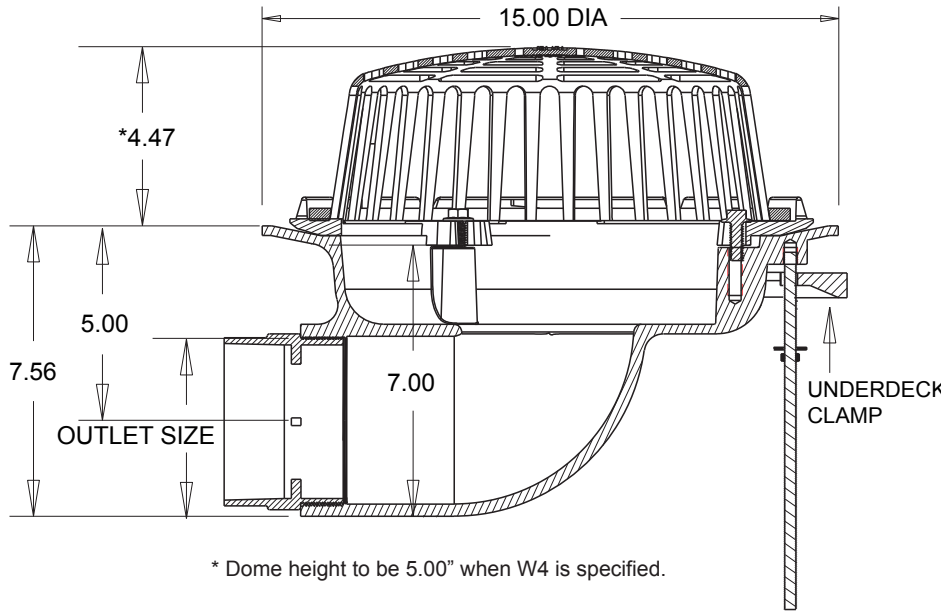
15" DIA. ROOF DRAIN –
SIDE OUTLET
UNDERDECK CLAMP

LOCATION:

Specification & Function

Specification: SUN® RD4000-90 15" diameter roof drain with side outlet, coated cast iron body with combination membrane flashing clamp/gravel guard and low profile poly dome.

Function: Used on any type of flat roofs. Low profile dome prevents debris from entering the drain line. The anchor flange and membrane clamp provide a secure grip of membrane and roof flashing materials.



Pipe Size

SUFFIX	DESCRIPTION
<input type="checkbox"/> 2	2" (51) Pipe Size
<input type="checkbox"/> 3	3" (76) Pipe Size
<input type="checkbox"/> 4	4" (102) Pipe Size

Options

SUFFIX	OPTIONAL VARIATIONS
<input type="checkbox"/> -AD	Aluminum Dome
<input type="checkbox"/> -AE	Adjustable Extension
<input type="checkbox"/> -AR	Acid Resistant Epoxy Coated
<input type="checkbox"/> -C	Underdeck Clamp
<input type="checkbox"/> -CID	Cast Iron Dome
<input type="checkbox"/> -D	2" External Water Dam
<input type="checkbox"/> -DP	Top Mount Deck Plate
<input type="checkbox"/> -G	Galvanized Cast Iron
<input type="checkbox"/> -GD	Galvanized Cast Iron Dome
<input type="checkbox"/> -GG	4" High SS Perforated Gravel Guard
<input type="checkbox"/> -R	Roof Sump Receiver
<input type="checkbox"/> **-W4	4" High Internal Water Dam
<input type="checkbox"/> -2PE	2" High SS Perforated Extension
<input type="checkbox"/> -4PE	4" High SS Perforated Extension
<input type="checkbox"/> -90	Side Outlet Body (Threaded 2", 3", 4" only)
<input type="checkbox"/> -90N	90° No Hub Side Outlet Body (2" - 4" Only)
<input type="checkbox"/> -SS	Stainless Steel Mesh Dome
<input type="checkbox"/> -VR	Vandal Resistant Dome

**4" High Internal Waterdam can be cut by others to 3" or 2" water dam height as marked on standpipe.

Pipe Size (In.)	Approx. Wt. Lbs.	Dome Open Area Sq. In.
2 - 3 - 4	28	105.36

PROJECT:

CONTRACTOR: