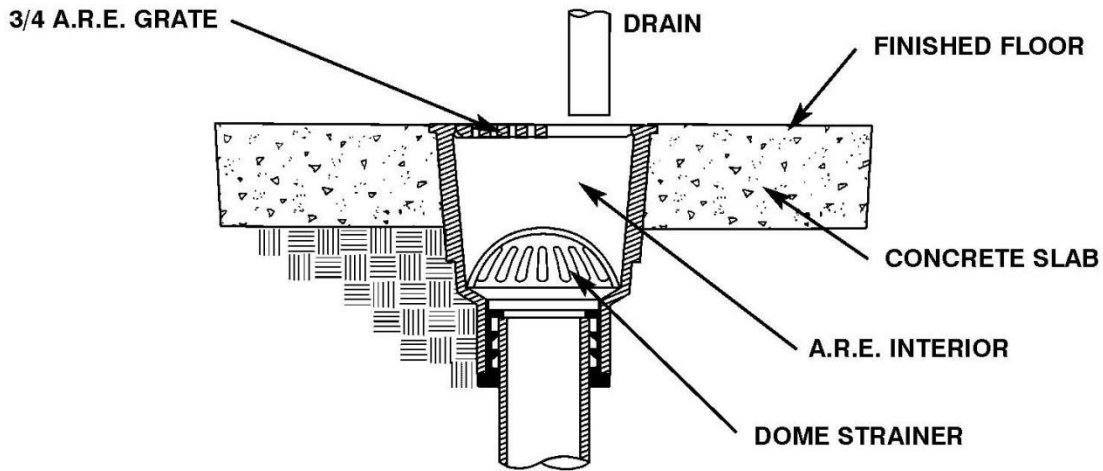


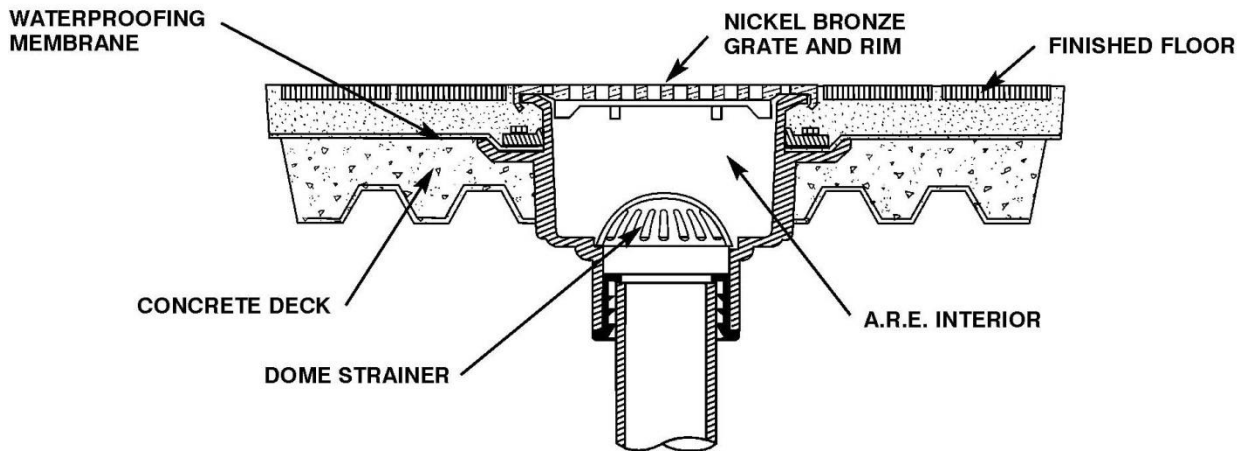


**GRATES AND COVERS**

SUN DRAINAGE sanitary floor sinks are regularly furnished with white acid resistant enamel (A.R.E.) coated cast iron grates. For high use areas it is recommended to use a Nickel Bronze frame and grate.



Specify suffix -NB for Nickel Bronze.  
Note that the -NB frame must be installed on top of the floor sink body before installation because the frame is mounted on top of the floor sink body and cannot be installed on top of the body after the body is installed flush to the floor.



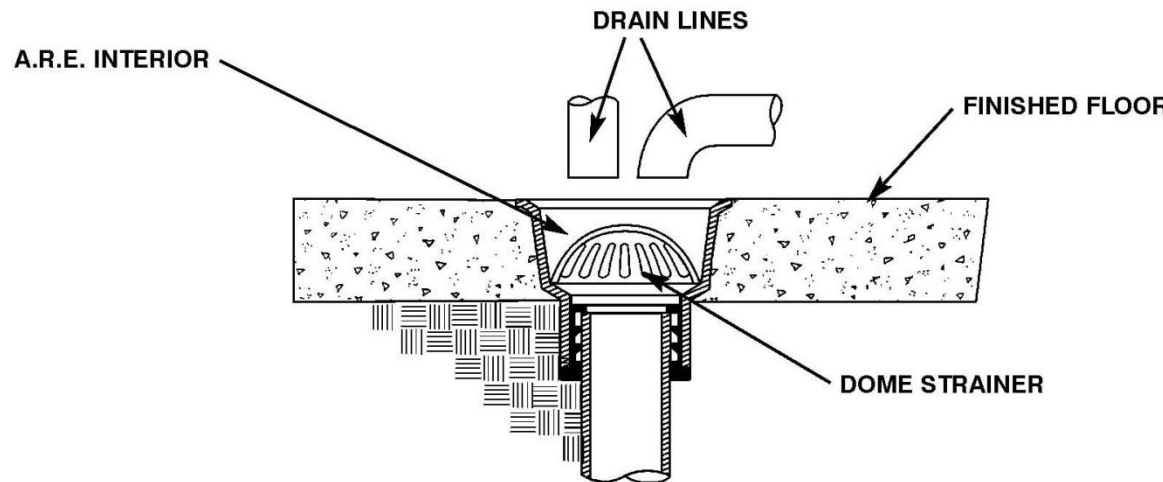
A grate is not required for floor sinks installed in non traffic areas where indirect waste applications are usually applied.



**DRAINAGE  
PRODUCTS**

## FS2000/FS2100/FS2200/FS2300/FS2400/FS2500

### Floor Sink Installation Instructions



In areas with frozen food cases, vegetable or meat cases, part of the floor sink may be left open to receive waste. Specify suffix -2 for half grate or suffix -3 for three-quarter grate.

#### **FUNNELS**

Funnels are used to prevent splashing of waste water while the remaining free area receives surface drainage. A four inch round funnel is used for single drain lines. Specify suffix -F4 for 4" round funnel.

#### **BUCKETS**

Sediment buckets are used when debris such as peelings, vegetable & fruit cuttings, bones and other solid waste kitchen material is to be retained. Specify suffix -B for Aluminum Sediment Bucket.

The regularly furnished aluminum dome minimizes splashing and also prevents debris from entering drain lines.

SUN Floor sink Instruction Guide Rev. A.17/2016-2

12600 Cardinal Meadow • Sugar Land, TX 77478

[www.sundrainage.com](http://www.sundrainage.com)

Note - Dimensional Data (inches and mm) are Subject to Manufacturing Tolerances and Change without Notice.