

FS2400

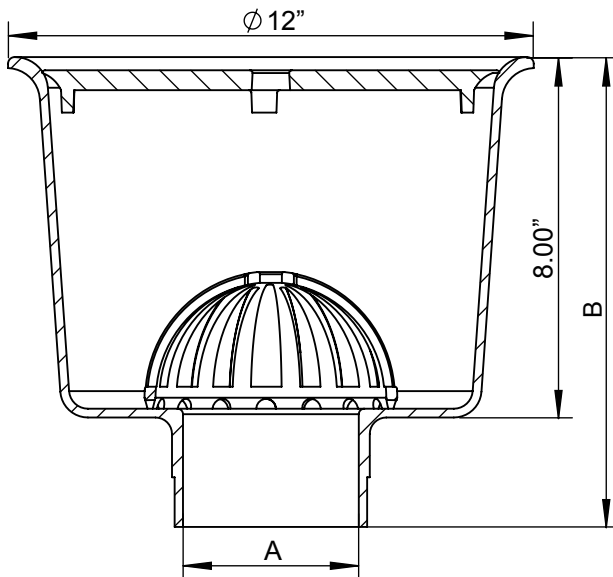
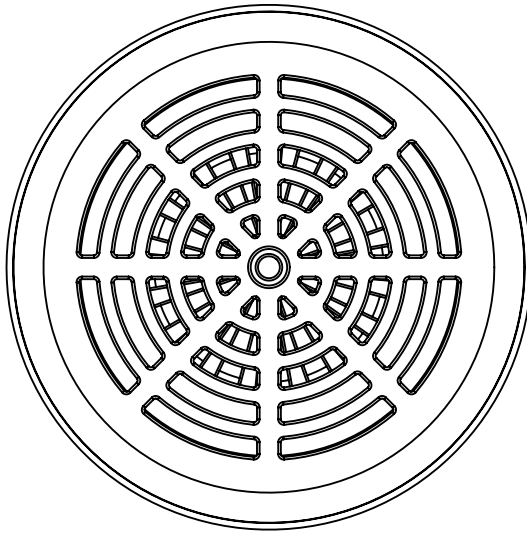
12" DIAMETER x 8" DEEP A.R.E. FLOOR SINK

LOCATION:

Specification & Function

Specification: SUN® FS2400 12" diameter x 8" deep cast iron body, light duty loose set grate with slotted openings, white acid resisting enamel coated interior and top complete with aluminum dome strainer.

Function: Used in kitchens, restaurants, grocery stores, hospitals, schools and other areas that require a large volume sanitary drain.



*ADD 5/8" TO HEIGHT FOR -NB NICKEL BRONZE FRAME AND GRATE

Pipe Size

SUFFIX	DESCRIPTION
<input type="checkbox"/> 2	2" (51) Pipe Size
<input type="checkbox"/> 3	3" (76) Pipe Size
<input type="checkbox"/> 4	4" (102) Pipe Size

Outlet Type

SUFFIX	DESCRIPTION
<input type="checkbox"/> NH	No Hub
<input type="checkbox"/> PO	Push On

Options

SUFFIX	OPTIONAL VARIATIONS
<input type="checkbox"/> -2	Half (1/2) Grate
<input type="checkbox"/> -3	Three-Quarter (3/4) Grate
<input type="checkbox"/> -AB	Sediment Bucket, Aluminum
<input type="checkbox"/> -F4	4" Nickel Bronze Round Funnel
<input type="checkbox"/> -K	Anchor Flange*
<input type="checkbox"/> -KC	Anchor Flange with Clamp Collar*
<input type="checkbox"/> -LG	Less Grate
<input type="checkbox"/> -NB	Nickel Bronze Grate
<input type="checkbox"/> -TP	Trap Primer Adapter

* Separate Submittal for this option available

Note: Regularly furnished with Enamel full grate unless otherwise specified.

BODY HEIGHT (B)		
Pipe Size	No Hub	Push On
2"	8 11/16"	8"
3"	8 11/16"	8"
4"	8 11/16"	8"

PROJECT:

CONTRACTOR: