

# FS2300-K

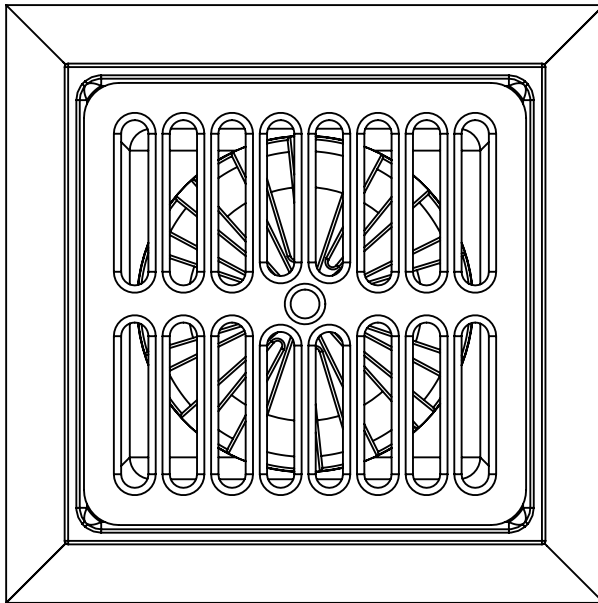
**8" x 8" x 6"**  
**DEEP A.R.E. FLOOR SINK**  
**WITH ANCHOR FLANGE**

**LOCATION:**

## Specification & Function

**Specification:** SUN® FS2300-K 8" x 8" x 6" deep cast iron body, light duty loose set grate with slotted openings, anchor flange with weep holes, white acid resisting enamel coated interior and top complete with aluminum dome strainer.

**Function:** Used in kitchens, restaurants, grocery stores, hospitals, schools and other areas that require a medium volume sanitary drain.



### Pipe Size

SUFFIX	DESCRIPTION
<input type="checkbox"/> 2	2" (51) Pipe Size
<input type="checkbox"/> 3	3" (76) Pipe Size
<input type="checkbox"/> 4	4" (102) Pipe Size

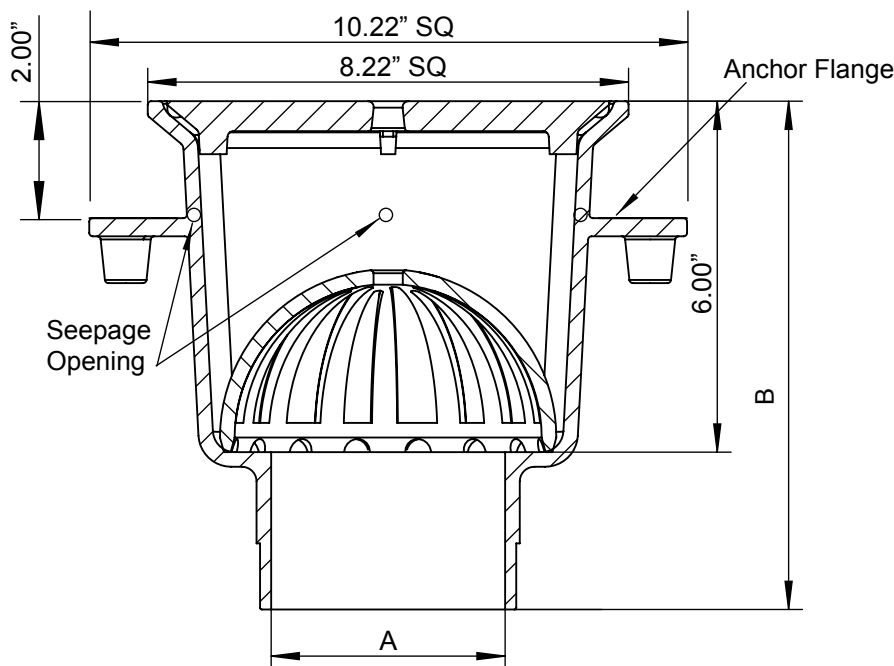
### Outlet Type

SUFFIX	DESCRIPTION
<input type="checkbox"/> NH	No Hub
<input type="checkbox"/> PO	Push On

### Options

SUFFIX	OPTIONAL VARIATIONS
<input type="checkbox"/> -2	Half (1/2) Grate
<input type="checkbox"/> -3	Three-Quarter (3/4) Grate
<input type="checkbox"/> -AB	Sediment Bucket, Aluminum
<input type="checkbox"/> -F4	4" Nickel Bronze Round Funnel
<input type="checkbox"/> -LG	Less Grate
<input type="checkbox"/> -NB	Nickel Bronze Grate
<input type="checkbox"/> -TP	Trap Primer Adapter

*Note: Regularly furnished with Enamel full grate unless otherwise specified.*



BODY HEIGHT (B)		
Pipe Size	No Hub	Push On
2"	8 11/16"	8"
3"	8 11/16"	8"
4"	8 11/16"	8"

**\*ADD 9/16" TO HEIGHT FOR -NB NICKEL BRONZE FRAME AND GRATE**

**PROJECT:**

**CONTRACTOR:**