

S100-U

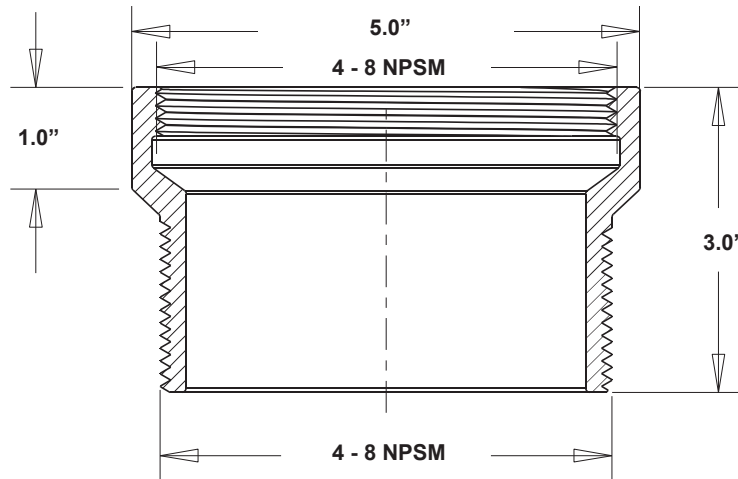
STAINER EXTENSION HUB

LOCATION: _____

Specification & Function

Specification: SUN® S100-U coated cast iron strainer extension and hub.

Function: Used in restaurants, hospitals, industrial laboratories and other areas where indirect waste lines drip condensate or waste water into a hub.



EXTENSION HEIGHT	
MIN.	MAX.
1 1/2"	2 1/2"

PROJECT: _____

CONTRACTOR: _____