

# FD1200

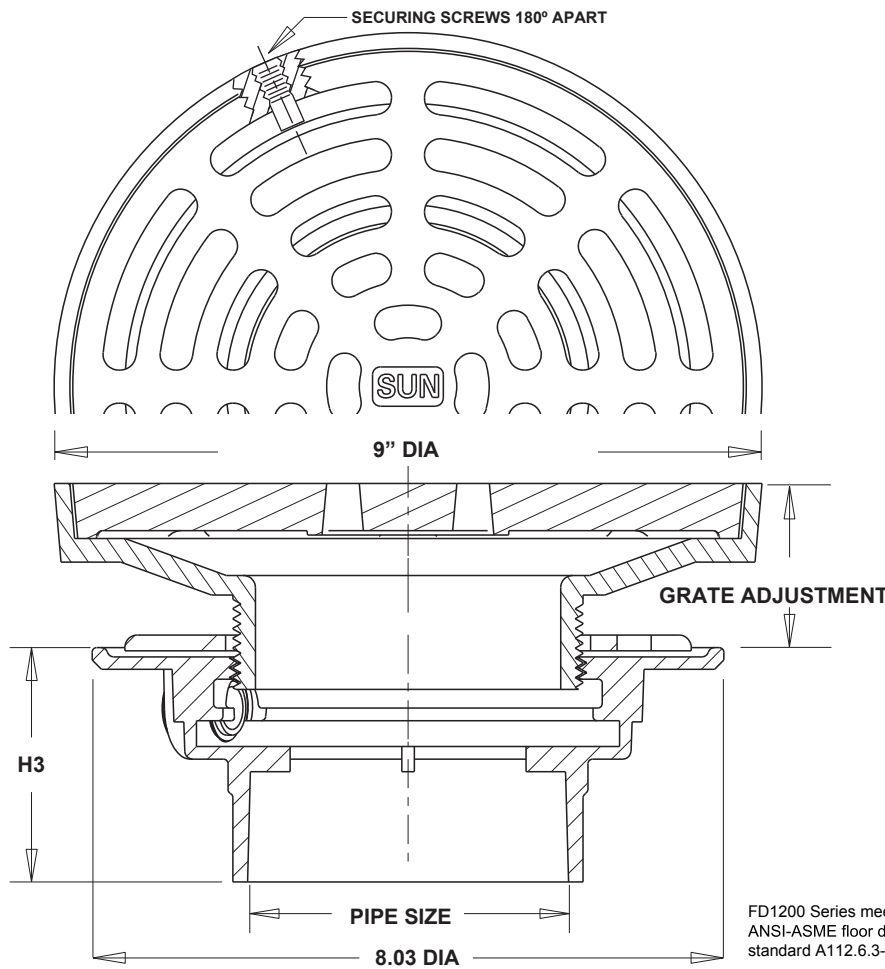
## FLOOR DRAIN - 9" EXTRA HEAVY DUTY ROUND TOP

LOCATION: \_\_\_\_\_

### Specification & Function

**Specification:** SUN® FD1200 coated cast iron floor drain with anchor flange, weep holes, clamping collar, 9" round adjustable secured vandal resistant extra heavy duty top, 1/2" NPT trap primer (plugged) and bottom outlet.

**Function:** Used in warehouses, mechanical rooms, parking garages, and other areas where membranes are used.



### Pipe Size

SUFFIX	DESCRIPTION
<input type="checkbox"/> 2	2" (51) Pipe Size
<input type="checkbox"/> 3	3" (76) Pipe Size
<input type="checkbox"/> 4	4" (102) Pipe Size

### Outlet Type

SUFFIX	DESCRIPTION
<input type="checkbox"/> IC	Inside Caulk
<input type="checkbox"/> NH	No Hub
<input type="checkbox"/> PO	Push On
<input type="checkbox"/> TH	Threaded Outlet

### Options

SUFFIX	OPTIONAL VARIATIONS
<input type="checkbox"/> -AR	Acid Resisting Epoxy Coated Body
<input type="checkbox"/> -B	Sediment Bucket
<input type="checkbox"/> -G	Galvanized Cast Iron
<input type="checkbox"/> -V	Nickel Bronze Veneer
<input type="checkbox"/> -VP	Vandal Resistant
<input type="checkbox"/> -XD	Extra Heavy Duty

FD1200 Series meets ANSI-ASME floor drain standard A112.6.3-211

Metric equivalents see chart below. (Dimension) Denotes Millimeters

GRATE DIAMETER	GRATE ADJUSTMENT		Free Area
	MIN	MAX	
9"(229)	1.55	2.40	22.5 in <sup>2</sup>

\* ANSI load class - XHD = Extra Heavy Duty (between 7,500 LBS - 10,000 LBS)

Pipe Size	BODY HEIGHT (H3)			
	Inside Caulk	No Hub	Push On	Threaded
2"	3.9	3.0	3.0	2.5
3"	3.9	3.0	3.0	2.5
4"	*	3.0	3.0	2.5

\* Request submittal for 4" Inside Caulk

PROJECT: \_\_\_\_\_

CONTRACTOR: \_\_\_\_\_