

FD1100-4CA

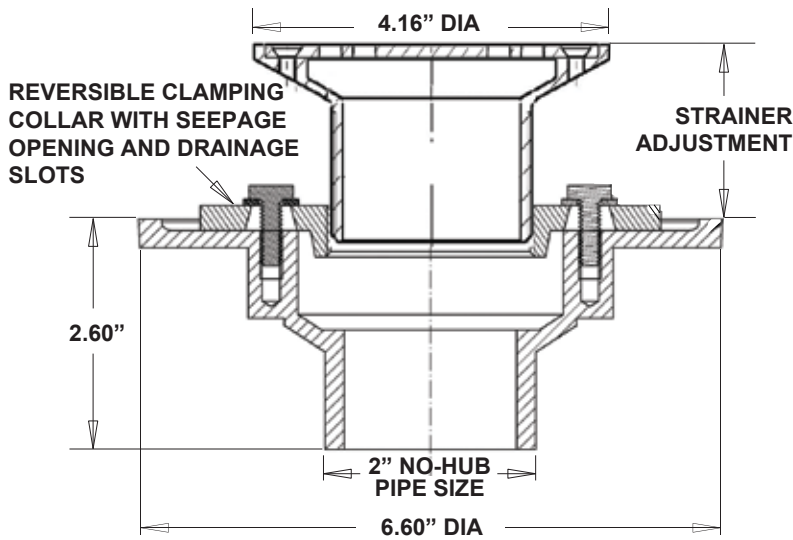
COMPACT ADJUSTABLE SHOWER OR FLOOR DRAIN WITH 4" CHROME PLATED STRAINER

LOCATION: _____

Specification & Function

Specification: FD1100 4" Dia. Light Duty Chrome Plated Adjustable Strainer with Vandal Resistant Grate, Coated Cast Iron Reversible Clamping Collar with Seepage Openings and Drainage Slots.

Function: For use as shower drain or area drain. Can be installed on grade or above grade installations.



Pipe Size

SUFFIX	DESCRIPTION
<input type="checkbox"/> 2	2" (50) Pipe Size

Outlet Type

SUFFIX	DESCRIPTION
<input type="checkbox"/> NH	No Hub

Options

SUFFIX	OPTIONAL VARIATIONS
<input type="checkbox"/> -4CS	4" Square Chrome Plated Strainer
<input type="checkbox"/> -AR	Acid Resisting Epoxy Coated Body
<input type="checkbox"/> -G	Galvanized Cast Iron

Strainer Adjustment (In.)			
High Position		Low Position	
Min.	Max	Min.	Max
2.20	1.04	1.04	.74

PROJECT: _____

CONTRACTOR: _____