

FD1000-7N
FD1000-9N

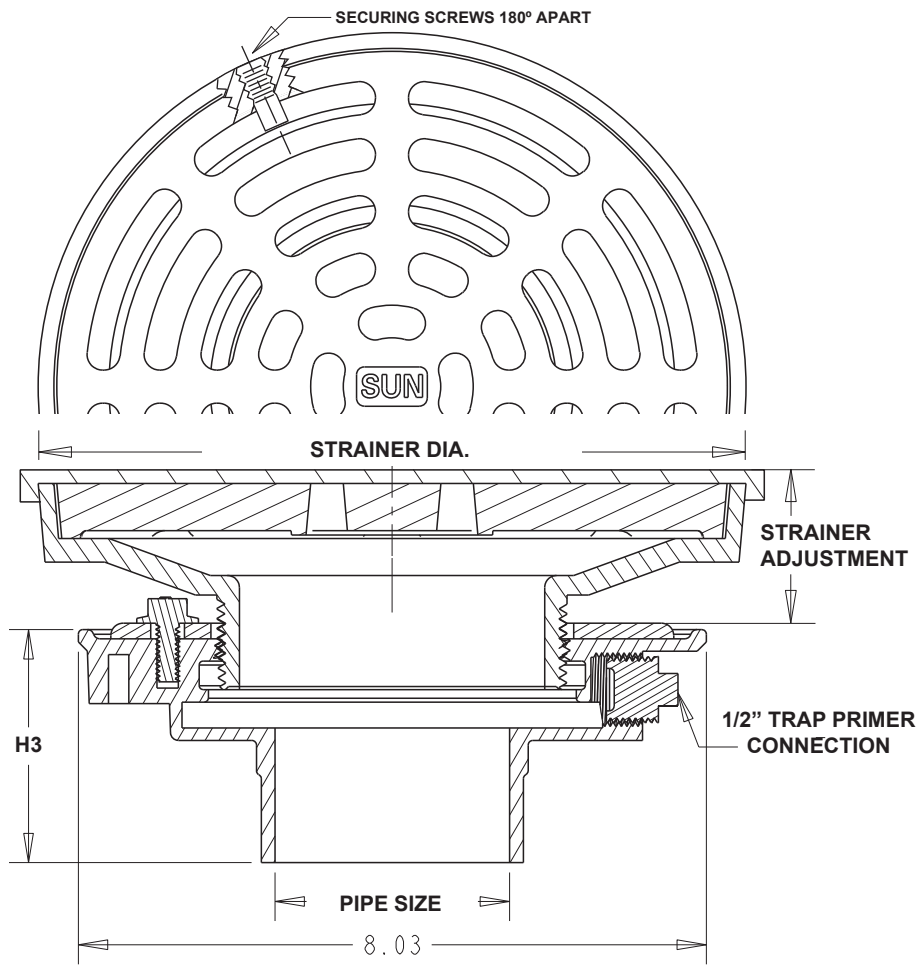
FLOOR DRAIN -
ROUND HEAVY DUTY
NICKEL BRONZE VENEER
TOP ADJUSTABLE

LOCATION: _____

Specification & Function

Specification: SUN® FD1000-N Series coated cast iron floor drain with anchor flange, weep holes, clamping collar, adjustable round heavy duty nickel bronze veneer vandal resistant secured heel proof grate, 1/2" NPT trap primer (plugged) and bottom outlet.

Function: Used in finished floors where medium to heavy loads are expected.



Pipe Size

SUFFIX	DESCRIPTION
<input type="checkbox"/> 2	2" (51) Pipe Size
<input type="checkbox"/> 3	3" (76) Pipe Size
<input type="checkbox"/> 4	4" (102) Pipe Size

Outlet Type

SUFFIX	DESCRIPTION
<input type="checkbox"/> IC	Inside Caulk
<input type="checkbox"/> NH	No Hub
<input type="checkbox"/> PO	Push On
<input type="checkbox"/> TH	Threaded Outlet

Strainer

SUFFIX	DESCRIPTION
<input type="checkbox"/> -7N	7" Dia. Nickel Bronze Veneer
<input type="checkbox"/> -9N	9" Dia. Nickel Bronze Veneer

Options

SUFFIX	OPTIONAL VARIATIONS
<input type="checkbox"/> -AR	Acid Resisting Epoxy Coated Body
<input type="checkbox"/> -B	Sediment Bucket
<input type="checkbox"/> -DI	Ductile Iron Top
<input type="checkbox"/> -G	Galvanized Cast Iron

Metric equivalents see chart below. (Dimension) Denotes Millimeters

STRAINER DIAMETER	GRATE ADJUSTMENT		Free Area
	MIN	MAX	
7"	1.50	2.75	15.8 in ²
9"	1.75	2.75	22.5 in ²

* ANSI load class - HD = Heavy Duty (between 5,000 LBS - 7,499 LBS)

Pipe Size	BODY HEIGHT (H3)			
	Inside Caulk	No Hub	Push On	Threaded
2"	3.9	3.0	3.0	2.5
3"	3.9	3.0	3.0	2.5
4"	3.9	3.0	3.0	2.5

PROJECT: _____

CONTRACTOR: _____