



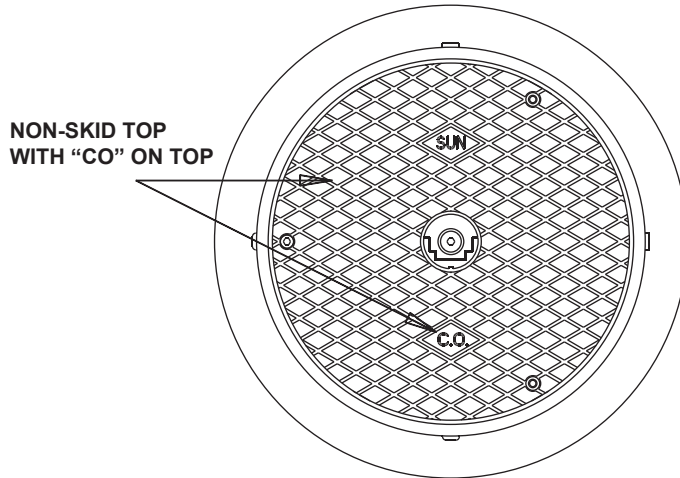
CO3500 CLEANOUT HOUSING 9 1/4" HEAVY DUTY ROUND TOP

LOCATION: _____

Specification & Function

Specification: SUN® CO3500 Series Heavy Duty Cleanout Housing coated cast iron double flanged body, vandal and skid resistant heavy duty ductile iron solid cover with lift ring.

Function: Protective housing to cover cleanouts, valves, cocks, etc. Dual anchor flange permits use in concrete, asphalt, earth fill installations and prevents loads to be transmitted to the pipe.



NON-SKID TOP WITH "CO" ON TOP

Pipe Size

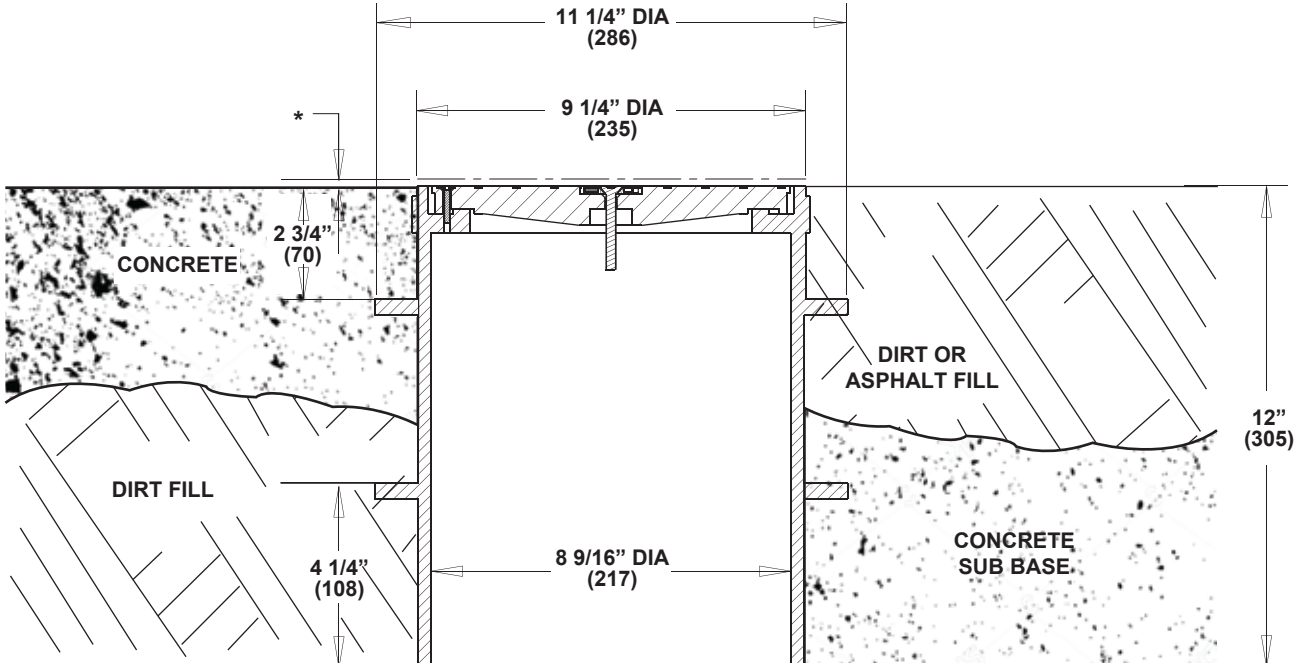
SUFFIX DESCRIPTION
N/A

Outlet Type

SUFFIX DESCRIPTION
N/A

Options

SUFFIX	OPTIONAL VARIATIONS
<input type="checkbox"/> -G	Galvanized Cast Iron
<input type="checkbox"/> -V	Nickel Bronze Veneer



Note: 1. * Add 3/16" (5) when nickel bronze veneer is specified
2. Dimensions in parentheses are millimeters

PROJECT: _____

CONTRACTOR: _____