

CO3400 MULTI-USE FLOOR CLEANOUT WITH ADJUSTABLE ROUND OR SQUARE TOP

LOCATION: _____

Specification: SUN® CO3400 Series Adjustable Floor Cleanout with heavy duty Ductile Iron vandal proof cover and plastic NPT gas tight plug.

Function: Suitable for finished and unfinished floors to access plumbing lines for servicing. Regularly furnished with heavy duty Ductile Iron cover and optional Anchor Flange Flashing Clamp, Nickel and Stainless Steel veneers allows for use in any area.

Pipe Size	A	B Dia	C	D Dia.	Body Height			Plug Size	Top Adjustment		
					PO	NH	Caulk		Top Type	Min	Max
2											
PO - NH	6.80	9.50	5.68	6.20	5.75	4.85		2-8 NPT	-V, -SSV	1.18	2.88
	6.80	9.50	5.00	6.20	5.75	4.85		2-8 NPT	DI	1.06	2.75
	6.80	9.50	5.20	6.20	5.75	4.85		2-8 NPT	-VS *	0.75	2.75
	6.80	9.50	5.00	6.20	5.75	4.85		2-8 NPT	-S *	0.62	2.62
IC	6.80	9.50	5.68	6.20			5.47	3.5-8 NPT	-V, -SSV	1.18	2.88
	6.80	9.50	5.00	6.20			5.47	3.5-8 NPT	DI	1.06	2.75
3											
PO - NH	6.80	9.50	5.20	6.20	5.75	4.85		3.5-8 NPT	-V, -SSV	1.18	2.88
	6.80	9.50	5.20	6.20	5.75	4.85		3.5-8 NPT	DI	1.06	2.75
	6.80	9.50	5.20	6.20	5.75	4.85		3.5-8 NPT	-VS *	0.75	2.75
	6.80	9.50	5.00	6.20	5.75	4.85		3.5-8 NPT	-S *	0.62	2.62
IC	6.80	9.50	6.56	6.20			5.50	4-8 NPT	-V, -SSV	1.25	3.50
	6.80	9.50	6.12	6.20			5.50	4-8 NPT	DI	1.00	3.25
4											
PO - NH	6.80	9.50	6.56	6.20	5.75	4.85		3.5-8 NPT	-V, -SSV	1.18	2.88
	6.80	9.50	6.12	6.20	5.75	4.85		3.5-8 NPT	DI	1.06	2.75
	6.80	9.50	5.20	6.20	5.75	4.85		3.5-8 NPT	-VS *	0.75	2.75
	6.80	9.50	5.00	6.20	5.75	4.85		3.5-8 NPT	-S *	0.62	2.62
IC	8.80	11.50	8.69	8.30			6.31	*6-8 NPT	-V, -SSV	1.50	4.00
	8.38	11.50	8.25	8.30			6.31		DI	1.25	3.75
6											
PO - NH	8.80	11.50	8.69	8.30	6.44	6.29		*6-8 NPT	-V, -SSV	1.50	4.00
	8.80		8.25	8.30	6.44	6.29			DI	1.25	3.75
IC	9.75	12.50	9.69	9.50			6.31	7-8 NPT	-V, -SSV	1.45	3.58
	9.75		9.25	9.50			6.31		HD	1.25	3.38
8											
PO - NH	9.75	12.50	9.69	9.50	6.31	6.31		7-8NPT	-V, -SSV	1.45	3.58
	9.75		9.25	9.50	6.31	6.31			DI	1.25	3.38

* -S & -VS tops only available for use with 2"-4" PO, NH & 2" Caulk (IC)
 * Brass NPT Plug Provided

Pipe Size

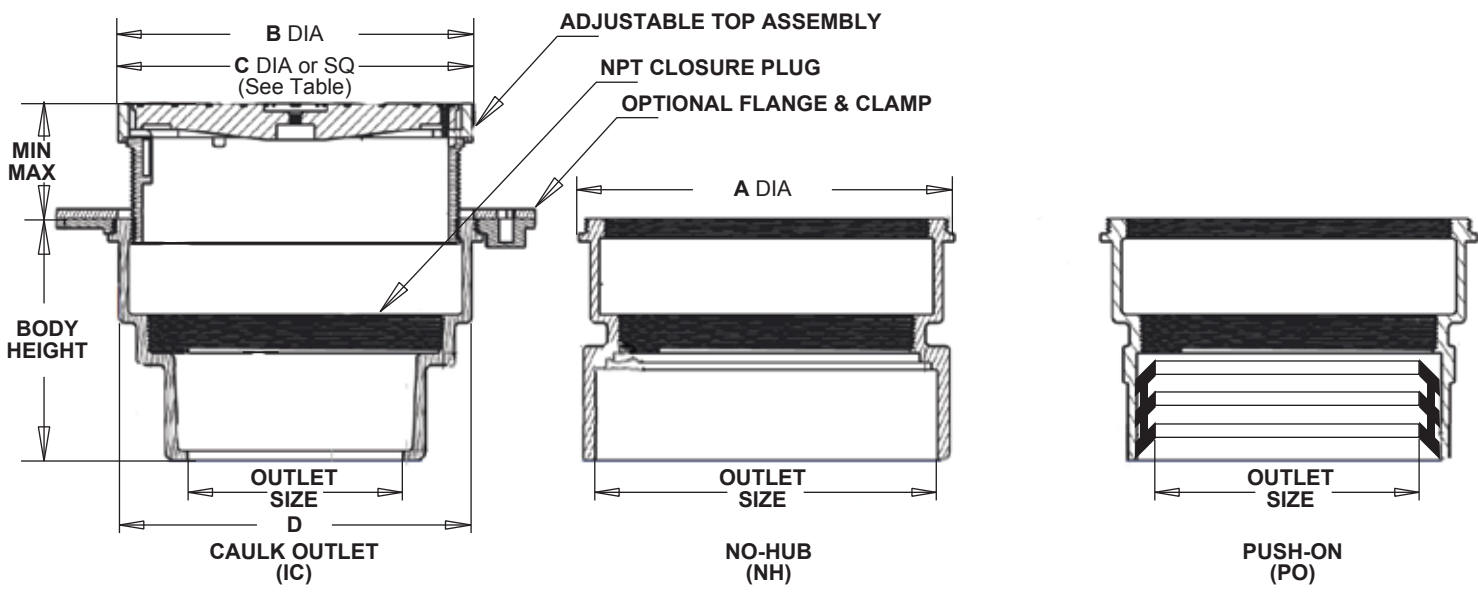
SUFFIX	DESCRIPTION
<input type="checkbox"/> 2	2" Pipe Size
<input type="checkbox"/> 3	3" Pipe Size
<input type="checkbox"/> 4	4" Pipe Size
<input type="checkbox"/> 6	6" Pipe Size
<input type="checkbox"/> 8	8" Pipe Size

Outlet Type

SUFFIX	DESCRIPTION
<input type="checkbox"/> IC	Inside Caulk
<input type="checkbox"/> NH	No Hub
<input type="checkbox"/> PO	Push On

Options

SUFFIX	OPTIONAL VARIATIONS
<input type="checkbox"/> -V	Nickel Bronze Veneer
<input type="checkbox"/> -SSV	Stainless Steel Veneer
<input type="checkbox"/> -S	Square Ductile Iron
<input type="checkbox"/> -VS	Square Ductile Iron w/ NB Veneer
<input type="checkbox"/> -AR	Acid Resistant Epoxy Coated
<input type="checkbox"/> -G	Galvanized Cast Iron
<input type="checkbox"/> -F	Anchor Flange
<input type="checkbox"/> -FC	Anchor Flange with Clamping Collar
<input type="checkbox"/> -CM	Carpet Marker
<input type="checkbox"/> -CC	Carpet Clamp
<input type="checkbox"/> -BP	Brass Closure Plug
<input type="checkbox"/> -CS2	5" SQ Insulated Stainless Steel Veneer Top



PROJECT: _____

CONTRACTOR: _____