

CO3200

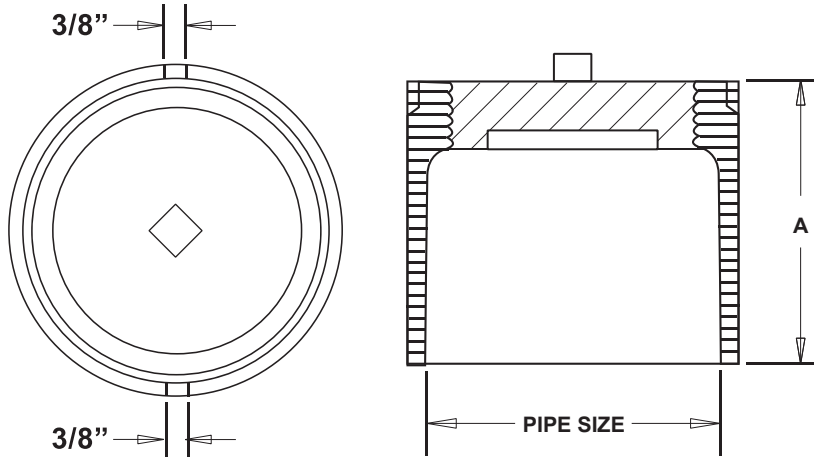
CLEANOUT FERRULE WITH PLUG

LOCATION: _____

Specification & Function

Specification: SUN® CO3200 Cleanout Ferrule, coated cast iron body with gas and watertight threaded plug.

Function: Used at a hubless connection of drainage piping where a cleanout is required.



Pipe Size

SUFFIX	DESCRIPTION
<input type="checkbox"/> 2	2" (51) Pipe Size
<input type="checkbox"/> 3	3" (76) Pipe Size
<input type="checkbox"/> 4	4" (102) Pipe Size
<input type="checkbox"/> 6	6" (152) Pipe Size

Outlet Type

SUFFIX	DESCRIPTION
<input type="checkbox"/> NH	No Hub

Options

SUFFIX	OPTIONAL VARIATIONS
<input type="checkbox"/> -G	Galvanized Cast Iron

Dim. In Inches		Approx. Wt. Lbs.
Pipe Size	A	
2	2.20	1
3	2.20	1
4	2.20	2
6	4.50	5

PROJECT: _____

CONTRACTOR: _____