

WC5800

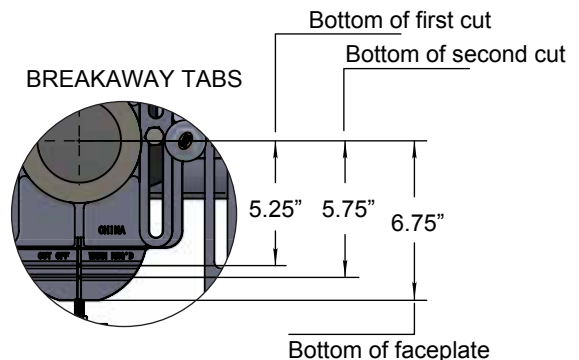
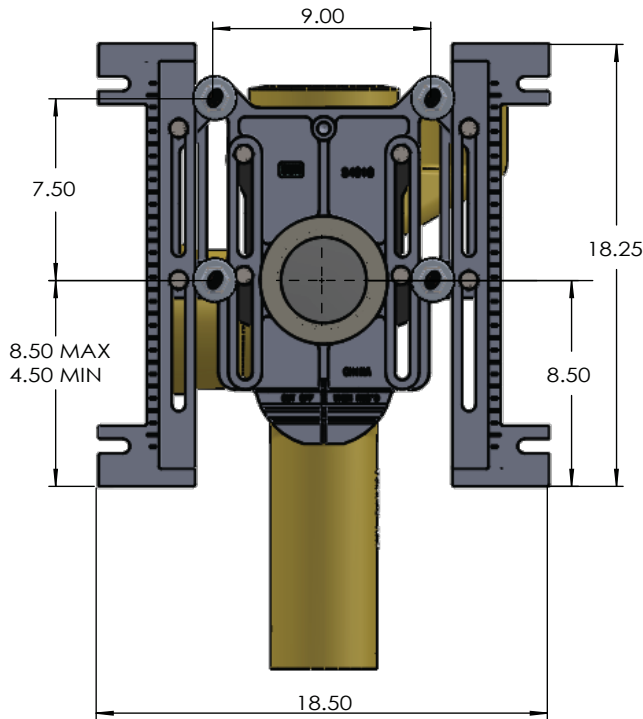
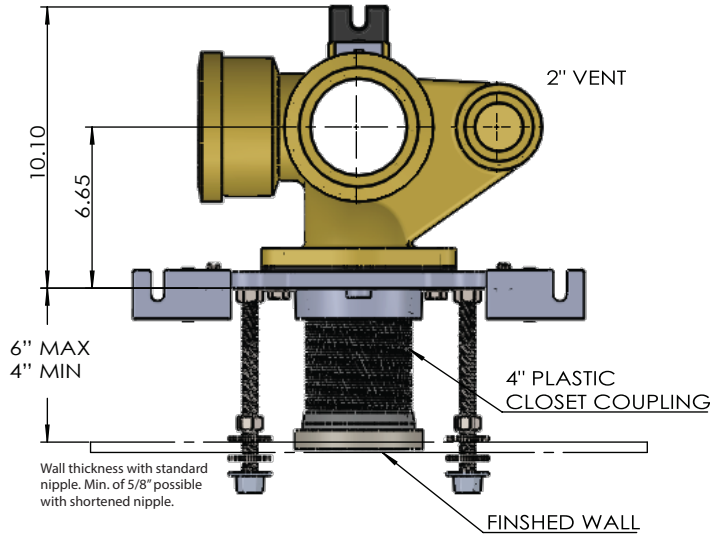
ADJUSTABLE VERTICAL INSIDE CAULK CLOSET CARRIER

LOCATION:

Specification & Function

Specification: SUN® WC5800 Adjustable, vertical water closet carrier with 4" inside caulk connections and () side inlets, rated for 500 lb. maximum static load. Complete with coated cast iron right-hand or left-hand main fitting with 2" vent, adjustable faceplate with gasket, floor mounted foot supports, adjustable ABS coupling with integral test cap, fixture bolts, trim, stud protectors, rear anchor tie-down (-R and -L only), and neoprene fixture gasket.

Function: Used with off the floor fixtures that are wall mounted and have no contact with the finished floor. The closet carrier is completely concealed within the wall and supports the load of the fixture through a faceplate mounted to feet and anchored to the floor.



Pipe Size

| SIZE | DESCRIPTION |
|----------------------------|--------------------|
| <input type="checkbox"/> 4 | 4" (102) Pipe Size |

Outlet Type

| OUTLET | DESCRIPTION |
|-----------------------------|--------------|
| <input type="checkbox"/> IC | Inside Caulk |

Inlets

| INLET | DESCRIPTION |
|---------------------------------|-------------------------------------|
| <input type="checkbox"/> | No Side Inlets |
| <input type="checkbox"/> -1L | Left Hand Inlet (Flow to the right) |
| <input type="checkbox"/> -1R | Right Hand Inlet (Flow to the left) |
| <input type="checkbox"/> -2 | Two Side Inlets |
| <input type="checkbox"/> -1L-2R | 4" LH Inlet 2" RH Tap |
| <input type="checkbox"/> -1R-2L | 4" RH Inlet 2" LH Tap |

Options

| SUFFIX | OPTIONAL VARIATIONS |
|--------------------------------|----------------------|
| <input type="checkbox"/> -CL12 | 12" ABS Nipple |
| <input type="checkbox"/> -G | Galvanized Cast Iron |

| Product No. | Approx. Wt. Lbs. |
|--------------|------------------|
| WC5800 | 72 |
| WC5800-1L | 75 |
| WC5800-1R | 75 |
| WC5800-2 | 87 |
| WC5800-1L-2R | 82 |
| WC5800-1R-2L | 82 |

PROJECT:

CONTRACTOR: