

WC5600-XH-D

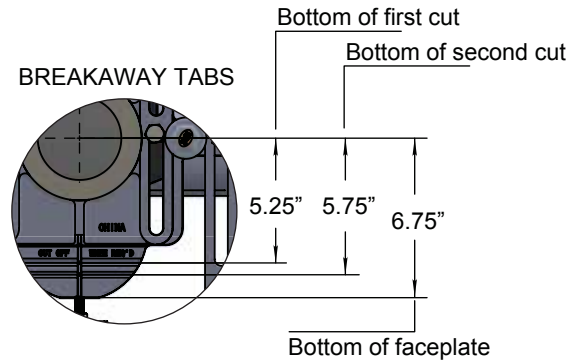
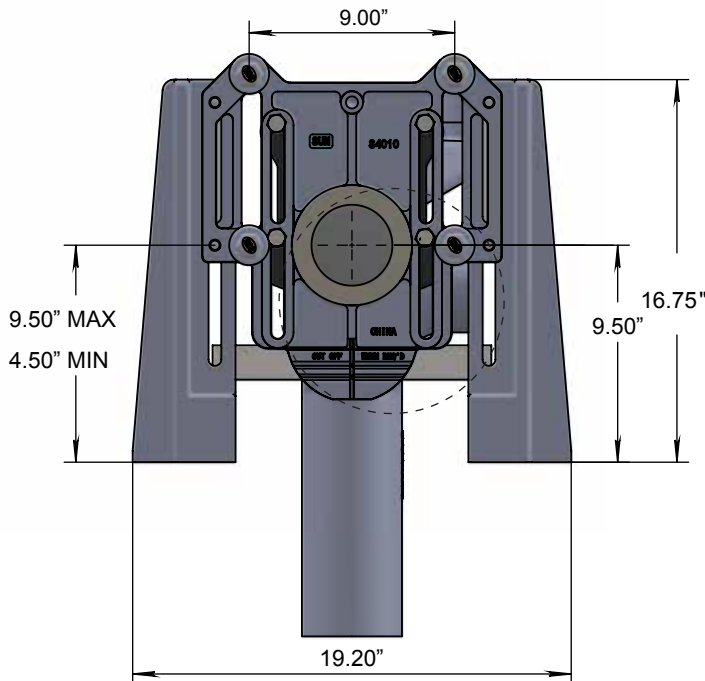
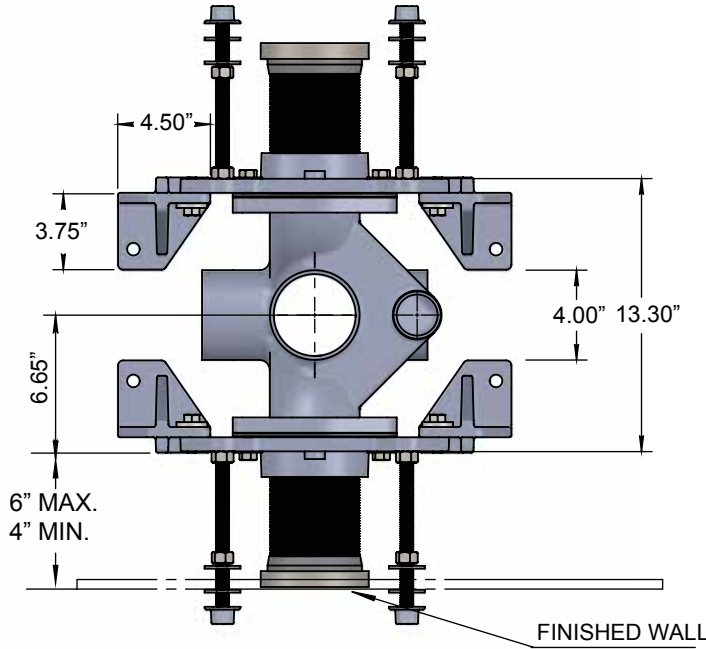
**EXTRA HEAVY 750 LBS.
ADJUSTABLE VERTICAL
NO-HUB BACK-TO-BACK
CLOSET CARRIER**

LOCATION:

Specification & Function

Specification: SUN® WC5600-XH-D Adjustable, vertical back-to-backwater closet carrier with 4" no hub connections and () side inlets, rated for 750 lb. maximum static load. Complete with coated cast iron double main fitting with 2" vent, adjustable faceplate with gasket, floor mounted foot supports, adjustable ABS coupling with integral test cap, fixture bolts, trim, stud protectors, and neoprene fixture gasket.

Function: Used with off the floor fixtures that are wall mounted and have no contact with the finished floor. The closet carrier is completely concealed within the wall and supports the load of the fixture through a faceplate mounted to feet and anchored to the floor.



Pipe Size

SIZE	DESCRIPTION
<input type="checkbox"/> 4	4" (102) Pipe Size

Outlet Type

OUTLET	DESCRIPTION
<input type="checkbox"/> NH	No Hub

Inlets

INLET	DESCRIPTION
<input type="checkbox"/> -D	No Side Inlets
<input type="checkbox"/> -D1	One Side Inlet
<input type="checkbox"/> -D2	Two Side Inlets

Options

SUFFIX	OPTIONAL VARIATIONS
<input type="checkbox"/> -CL12	12" ABS Nipple
<input type="checkbox"/> -G	Galvanized Cast Iron

Product No.	Approx. Wt. Lbs.
WC5600-XH-D	150
WC5600-XH-D1	150
WC5600-XH-D2	150

PROJECT:

CONTRACTOR: