

WC5500-XH-D

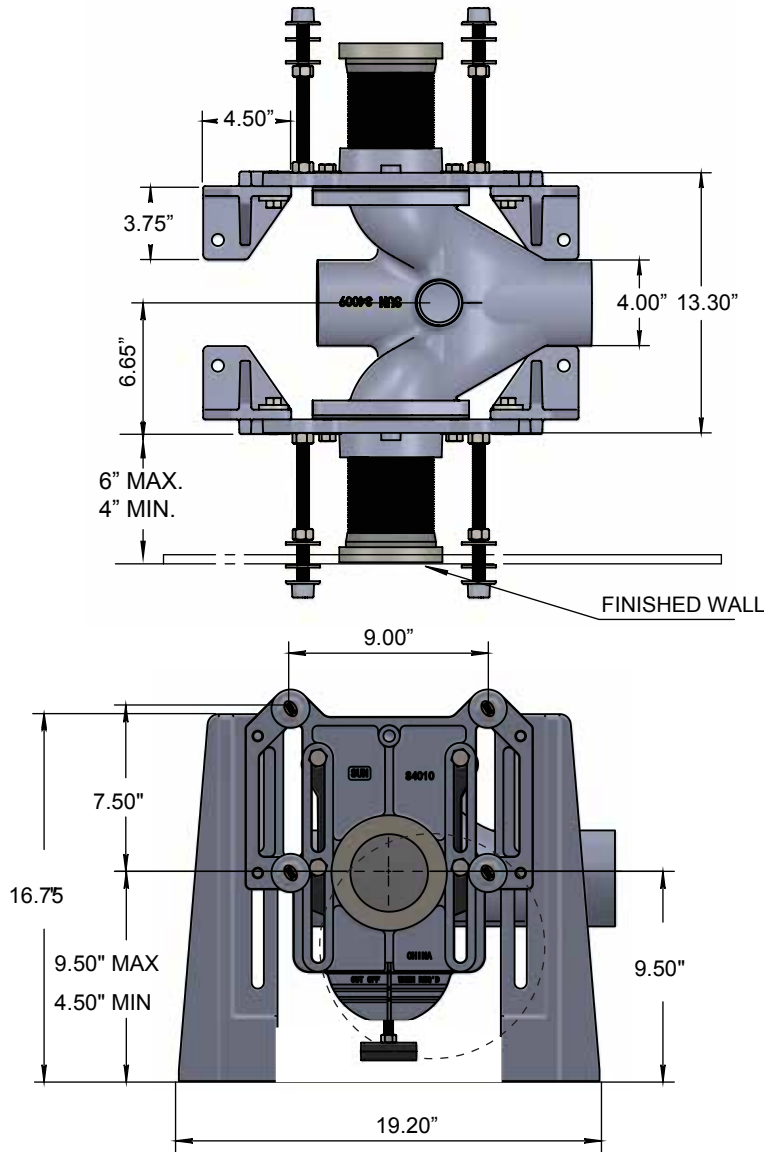
EXTRA HEAVY DUTY 750LB ADJUSTABLE HORIZONTAL NO-HUB BACK-TO-BACK CLOSET CARRIER

LOCATION: _____

Specification & Function

Specification: SUN® WC5500-XH-D Extra Heavy Duty Adjustable, horizontal back-to-back water closet carrier with 4" no hub connections, rated for 750 lb. maximum static load. Complete with coated cast iron double main fitting with 2" vent, adjustable faceplate with gasket, floor mounted foot supports, adjustable ABS coupling with integral test cap, fixture bolts, trim, stud protectors, and neoprene fixture gasket.

Function: Used with off the floor fixtures that are wall mounted and have no contact with the finished floor. The closet carrier is completely concealed within the wall and supports the load of the fixture through a faceplate mounted to feet and anchored to the floor.



Pipe Size

SIZE	DESCRIPTION
<input type="checkbox"/> 4	4" (102) Pipe Size

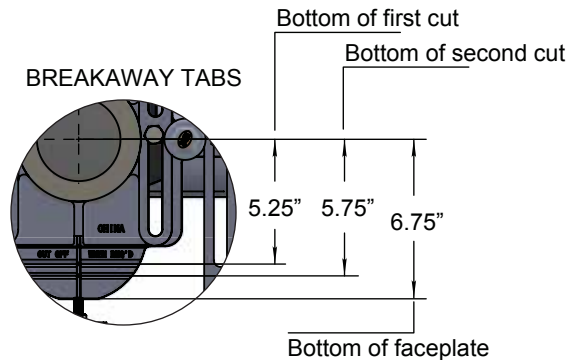
Outlet Type

OUTLET	DESCRIPTION
<input type="checkbox"/> NH	No Hub

Options

SUFFIX	OPTIONAL VARIATIONS
<input type="checkbox"/> -CL12	12" ABS Nipple
<input type="checkbox"/> -G	Galvanized Cast Iron

Product No.	Approx. Wt. Lbs.
WC5500-XH-D	155



PROJECT: _____

CONTRACTOR: _____