

# WC5500-NW

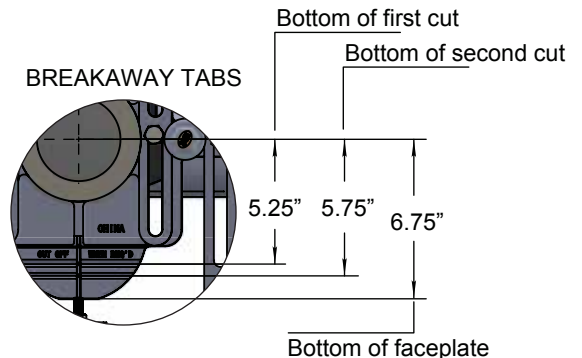
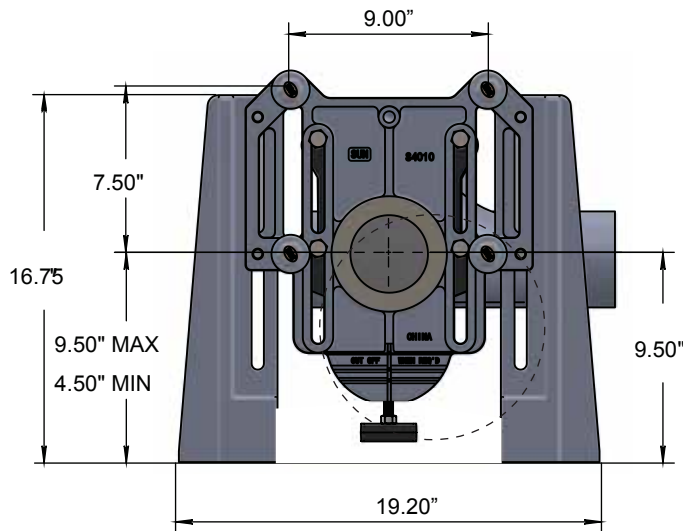
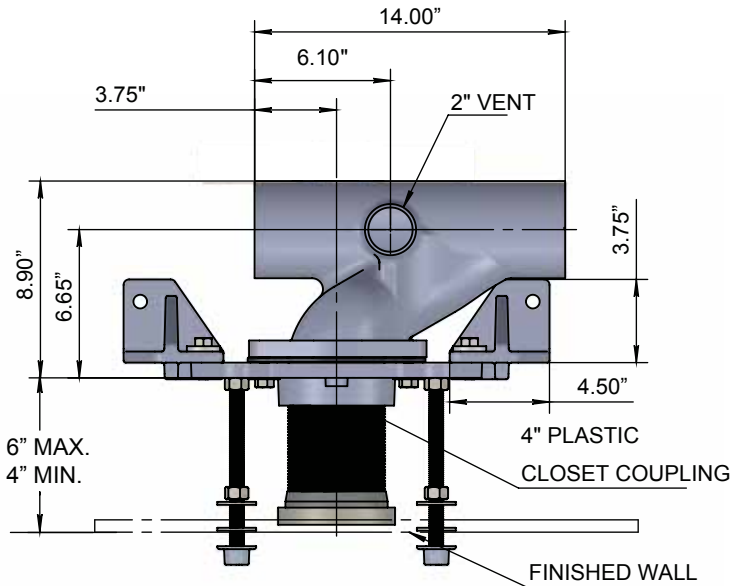
## HEAVY DUTY 500LBS ADJUSTABLE HORIZONTAL NO-HUB NARROW WALL CLOSET CARRIER

LOCATION: \_\_\_\_\_

### Specification & Function

**Specification:** SUN® WC5500-NW Extra Heavy Duty Adjustable, horizontal water closet carrier for narrow wall application with 4" no hub connections, rated for 350 lb. maximum static load. Complete with coated cast iron right-hand, left-hand main fitting with 2" vent, adjustable faceplate with gasket, floor mounted foot supports, adjustable ABS coupling with integral test cap, fixture bolts, trim, stud protectors, heavy duty anchor bar (-R and -L only), and neoprene fixture gasket.

**Function:** Used with off the floor fixtures that are wall mounted and have no contact with the finished floor. The closet carrier is completely concealed within the wall and supports the load of the fixture through a faceplate mounted to feet and anchored to the floor.



### Pipe Size

SIZE	DESCRIPTION
<input type="checkbox"/> 4	4" (102) Pipe Size

### Outlet Type

OUTLET	DESCRIPTION
<input type="checkbox"/> NH	No Hub

### Inlets

INLET	DESCRIPTION
<input type="checkbox"/> -L	Left Hand Inlet (Flow to the right)
<input type="checkbox"/> -R	Right Hand Inlet (Flow to the left)

### Options

SUFFIX	OPTIONAL VARIATIONS
<input type="checkbox"/> -12	12" ABS Nipple
<input type="checkbox"/> -G	Galvanized Cast Iron

Product No.	Approx. Wt. Lbs.
WC5500-NW-R	85
WC5500-NW-L	85

PROJECT: \_\_\_\_\_

CONTRACTOR: \_\_\_\_\_