

LC5010

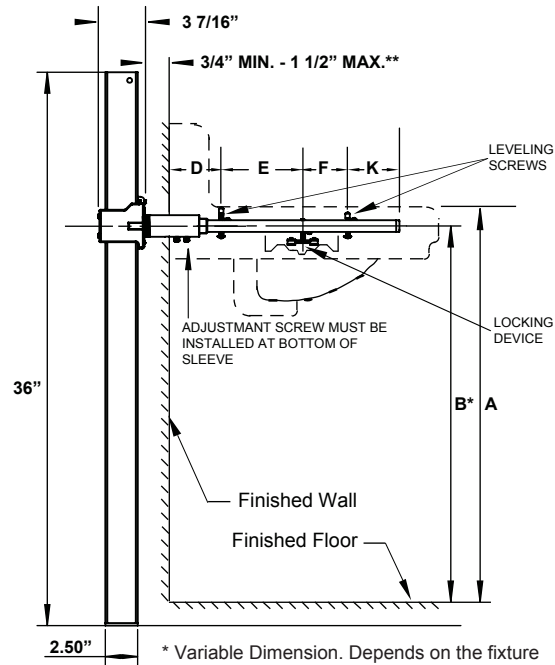
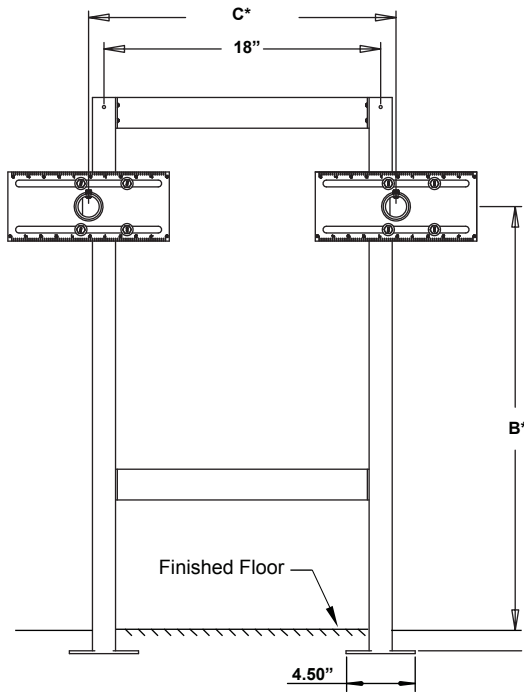
ADJUSTABLE CONCEALED ARM LAVATORY CARRIER

LOCATION:

Specification & Function

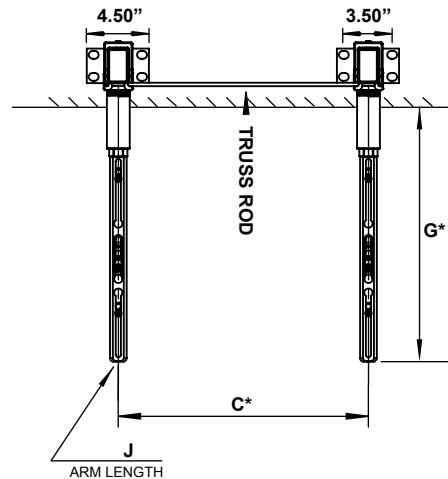
Specification: SUN® LC5010 adjustable lavatory carrier complete with coated rectangular steel uprights with welded feet, cast iron adjustable header couplings, steel sleeves, concealed arms and hardware.

Function: Used to support wall hung fixtures so that the load bearing carrier is concealed within the wall.



* Variable Dimension. Depends on the fixture
 ** Width Standard Sleeve Length of 4"

Recommend all feet to be secured to floor with 1/2" bolt and anchors supplied by others.



NOTE: The rough-in dimensions listed on this drawing are based on current information available to SUN DRAINAGE by the fixture manufacturers. We recommend that you verify these dimensions with the fixture manufacturer. We will not accept responsibility for rough-in dimension changes by the fixture manufacturer.

ROUGHING-IN TABLE

FIXTURE MFG.		NAME		NUMBER		SIZE			
A	B	C	D	E	F	G	J	K	

PROJECT:

CONTRACTOR: