

LC5000

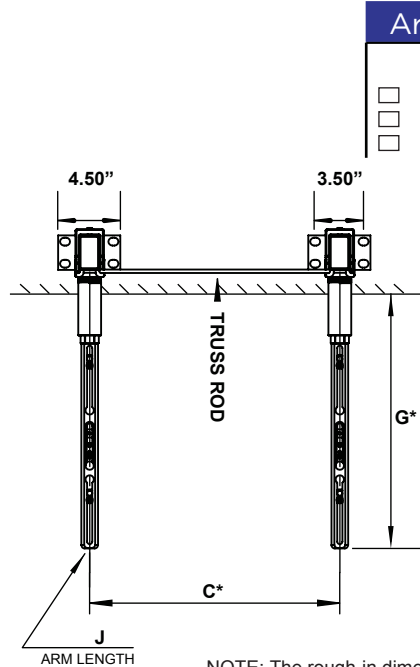
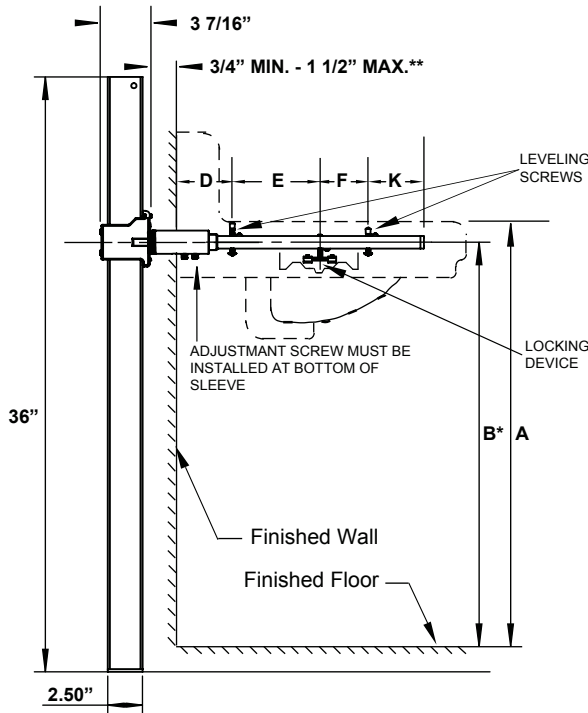
CONCEALED ARM LAVATORY CARRIER FOR AMERICAN STANDARD

LOCATION: _____

Specification & Function

Specification: SUN® LC5000 lavatory carrier complete with coated rectangular steel uprights with welded feet, cast iron adjustable header couplings, steel sleeves, concealed arms, a truss rod, and mounting hardware.

Function: Used to support wall hung fixtures so that the load bearing carrier is concealed within the wall.



Arm Length

SIZE	DESCRIPTION
<input type="checkbox"/> -5	15.75" Arm Length
<input type="checkbox"/> -6	18.50" Arm Length
<input type="checkbox"/> -7	22.25" Arm Length

* Variable Dimension. Depends on the fixture
 ** Width Standard Sleeve Length of 4"

Recommend all feet to be secured to floor with 1/2" bolt and anchors supplied by others.

NOTE: The rough-in dimensions listed on this drawing are based on current information available to SUN DRAINAGE by the fixture manufacturers. We recommend that you verify these dimensions with the fixture manufacturer. We will not accept responsibility for rough-in dimension changes by the fixture manufacturer.

ROUGHING-IN TABLE

FIXTURE MFG.	NAME	NUMBER	SIZE	A	B	C	D	E	F	G	J	K	ARM #
American Standard	Lucerne	0355-012	20X18	31	29 1/4	16 3/4	4	6	6	16 1/2	18 1/2	1	-6
American Standard	Lucerne	0356-015	20X18	31	29 1/4	16 3/4	4	6	6	16 1/2	18 1/2	1	-6
American Standard	Lucerne	0356-421	20X18	31	29 1/4	16 3/4	4	6	6	16 1/2	18 1/2	1	-6
American Standard	Lucerne	0356-439	20X18	31	29 1/4	16 3/4	4	6	6	16 1/2	18 1/2	1	-6
American Standard	Murro	0954-000	22X21	34	32 3/8	16 7/8	3 15/16	5 15/16	3 15/16	15	15 3/4	1/2	-5
American Standard	Murro	0955-000	22X21	34	32 3/8	16 7/8	3 15/16	5 15/16	3 15/16	15	15 3/4	1/2	-5
American Standard	Murro	0958-000	22X21	34	32 3/8	16 7/8	3 15/16	5 15/16	3 15/16	15	15 3/4	1/2	-5
American Standard	Decorum	9024-Series	20X18	34	32	16 1/2	3 1/8	5 15/16	5 15/16	16	15 3/4	1	-6
American Standard	Wheelchair	9140-013	20 X27	34	32 1/4	16 3/4	7 1/2	7	7	22 1/2	22 1/4	1	-7
American Standard	Wheelchair	9140-021	20 X27	34	32 1/4	16 3/4	7 1/2	7	7	22 1/2	22 1/4	1	-7
American Standard	Wheelchair	9140-047	20 X27	34	32 1/4	16 3/4	7 1/2	7	7	22 1/2	22 1/4	1	-7
American Standard	Wheelchair	9141-011	20 X27	34	32 1/4	16 3/4	7 1/2	7	7	22 1/2	22 1/4	1	-7
American Standard	Wheelchair	9141-911	20 X27	34	32 1/4	16 3/4	7 1/2	7	7	22 1/2	22 1/4	1	-7

NOTE: *This dimension can be increased when fixture support is to be installed behind the wall. (Specify when required and wall thickness).

PROJECT: _____

CONTRACTOR: _____

LC5000

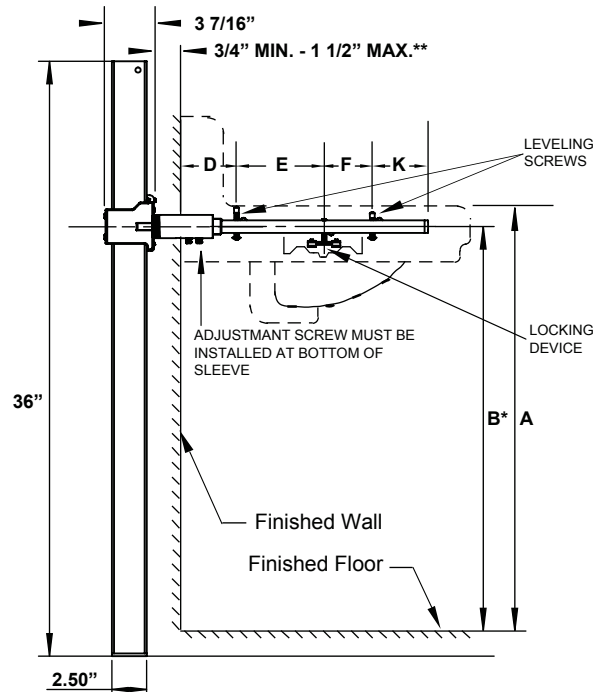
CONCEALED ARM LAVATORY CARRIER FOR KOHLER

LOCATION: _____

Specification & Function

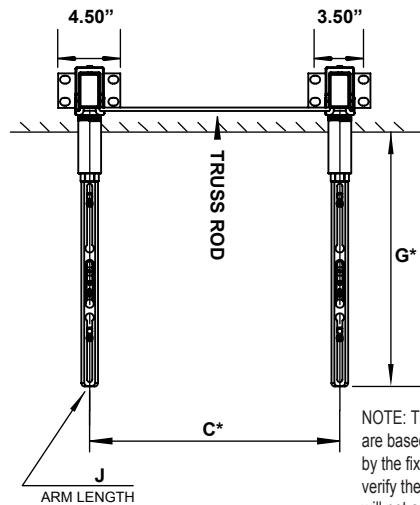
Specification: SUN® LC5000 lavatory carrier complete with coated rectangular steel uprights with welded feet, cast iron adjustable header couplings, steel sleeves, concealed arms, a truss rod, and mounting hardware.

Function: Used to support wall hung fixtures so that the load bearing carrier is concealed within the wall.



* Variable Dimension. Depends on the fixture
 ** Width Standard Sleeve Length of 4"

Recommend all feet to be secured to floor with 1/2" bolt and anchors supplied by others.



Arm Length

SIZE	DESCRIPTION
<input type="checkbox"/> -5	15.75" Arm Length
<input type="checkbox"/> -6	18.50" Arm Length
<input type="checkbox"/> -7	22.25" Arm Length

NOTE: The rough-in dimensions listed on this drawing are based on current information available to SUN DRAINAGE by the fixture manufacturers. We recommend that you verify these dimensions with the fixture manufacturer. We will not accept responsibility for rough-in dimension changes by the fixture manufacturer.

ROUGHING-IN TABLE

FIXTURE MFG.	NAME	NUMBER	SIZE	A	B	C	D	E	F	G	J	K	ARM #
Kohler	Kingston	K-2005	21X18	31	29 1/8	17 1/4	3 1/2	5	5 1/4	14 3/4	15 3/4	1	-5
Kohler	Kingston	K-2006	21X18	31	29 1/8	17 1/4	3 1/2	5	5 1/4	14 3/4	15 3/4	1	-5
Kohler	Kingston	K-2007	21X18	31	29 1/8	17 1/4	3 1/2	5	5 1/4	14 3/4	15 3/4	1	-5
Kohler	Greenwich	K-2030	21X18	31	28 7/8	17 1/4	3 1/4	5 1/4	5 1/4	14 3/4	15 3/4	1	-5
Kohler	Greenwich	K-2031	21X18	31	28 7/8	17 1/4	3 1/4	5 1/4	5 1/4	14 3/4	15 3/4	1	-5
Kohler	Greenwich	K-2032	21X18	31	28 7/8	17 1/4	3 1/4	5 1/4	5 1/4	14 3/4	15 3/4	1	-5
Kohler	Greenwich	K-2034	21X18	31	28 7/8	17 1/4	3 1/4	5 1/4	5 1/4	14 3/4	15 3/4	1	-5
Kohler	Greenwich	K-2036	21X18	31	28 7/8	17 1/4	3 1/4	5 1/4	5 1/4	14 3/4	15 3/4	1	-5
Kohler	Soho	K-2053	20X18	31	29 1/4	16 1/4	3 1/4	5 1/4	5 1/4	14 3/4	15 3/4	1	-5
Kohler	Soho	K-2054	20X18	31	29 1/4	16 1/4	3 1/4	5 1/4	5 1/4	14 3/4	15 3/4	1	-5
Kohler	Soho	K-2084	20X18	31	29 1/4	16 1/2	3 1/4	5 1/4	5 1/4	14 3/4	15 3/4	1	-5
Kohler	Brenham	K-1997	22X20	31	29 1/4	18 5/16	4	4 1/2	5 1/4	14 3/4	15 3/4	1	-5
Kohler	Brenham	K-1999	22X20	31	29 1/4	18 5/16	4	4 1/2	5 1/4	14 3/4	15 3/4	1	-5
Kohler	Morningside	K-12634	20X27	34	32 1/2	16 3/4	7 1/2	7	7	22 1/2	22 1/4	1	-7
Kohler	Morningside	K-12636	20X27	34	32 1/2	16 3/4	7 1/2	7	7	22 1/2	22 1/4	1	-7
Kohler	Chesapeake	K-1722	19X17	31	29 1/2	15 3/8	3 1/4	5 1/4	5 1/4	14 3/4	15 3/4	1	-5
Kohler	Chesapeake	K-1723	20X18	31	30	15 3/4	3 1/4	5 1/4	5 1/4	14 3/4	15 3/4	1	-5
Kohler	Chesapeake	K-1723	19X17	31	29 1/2	15 3/8	3 1/4	5 1/4	5 1/4	14 3/4	15 3/4	1	-5

NOTE: *This dimension can be increased when fixture support is to be installed behind the wall. (Specify when required and wall thickness).

PROJECT: _____

CONTRACTOR: _____

LC5000

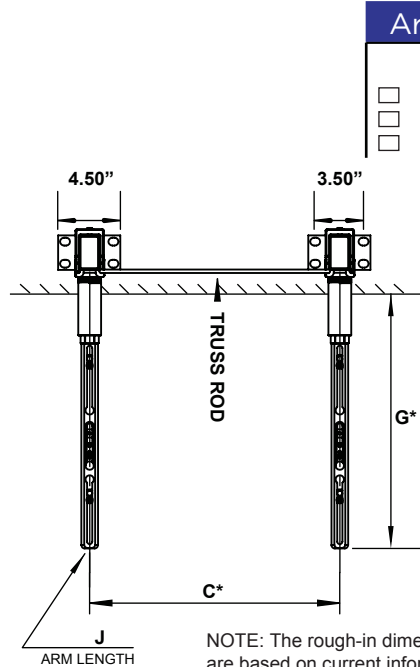
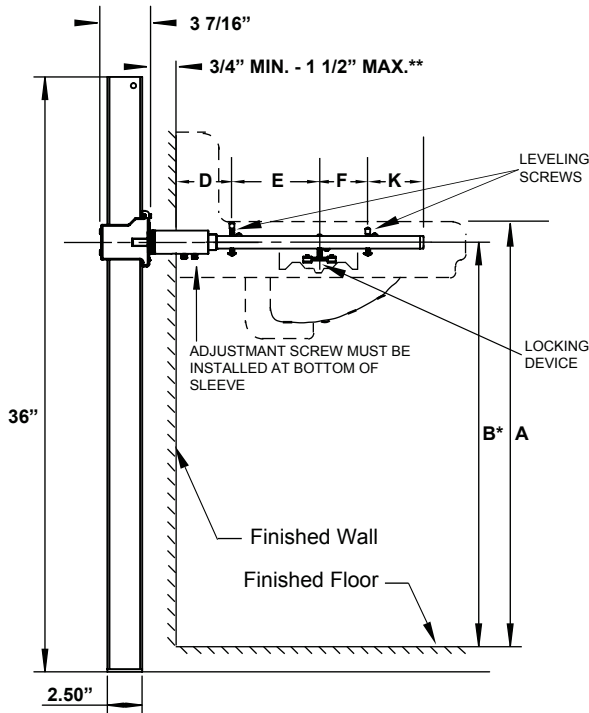
CONCEALED ARM LAVATORY CARRIER FOR TOTO

LOCATION:

Specification & Function

Specification: SUN® LC5000 lavatory carrier complete with coated rectangular steel uprights with welded feet, cast iron adjustable header couplings, steel sleeves, concealed arms, a truss rod, and mounting hardware.

Function: Used to support wall hung fixtures so that the load bearing carrier is concealed within the wall.



Arm Length

SIZE	DESCRIPTION
<input type="checkbox"/> -5	15.75" Arm Length
<input type="checkbox"/> -6	18.50" Arm Length
<input type="checkbox"/> -7	22.25" Arm Length

* Variable Dimension. Depends on the fixture
 ** Width Standard Sleeve Length of 4"

Recommend all feet to be secured to floor with 1/2" bolt and anchors supplied by others.

NOTE: The rough-in dimensions listed on this drawing are based on current information available to SUN DRAINAGE by the fixture manufacturers. We recommend that you verify these dimensions with the fixture manufacturer. We will not accept responsibility for rough-in dimension changes by the fixture manufacturer.

ROUGHING-IN TABLE

FIXTURE MFG.	NAME	NUMBER	SIZE	A	B	C	D	E	F	G	J	K	ARM #
Toto	Standard Sink	LT307	21X18	31	29	16 7/8	3 3/4	8 1/8	4 1/2	17 1/2	15 3/4	1/2	-6

NOTE: *This dimension can be increased when fixture support is to be installed behind the wall. (Specify when required and wall thickness).

PROJECT:

CONTRACTOR:

LC5000

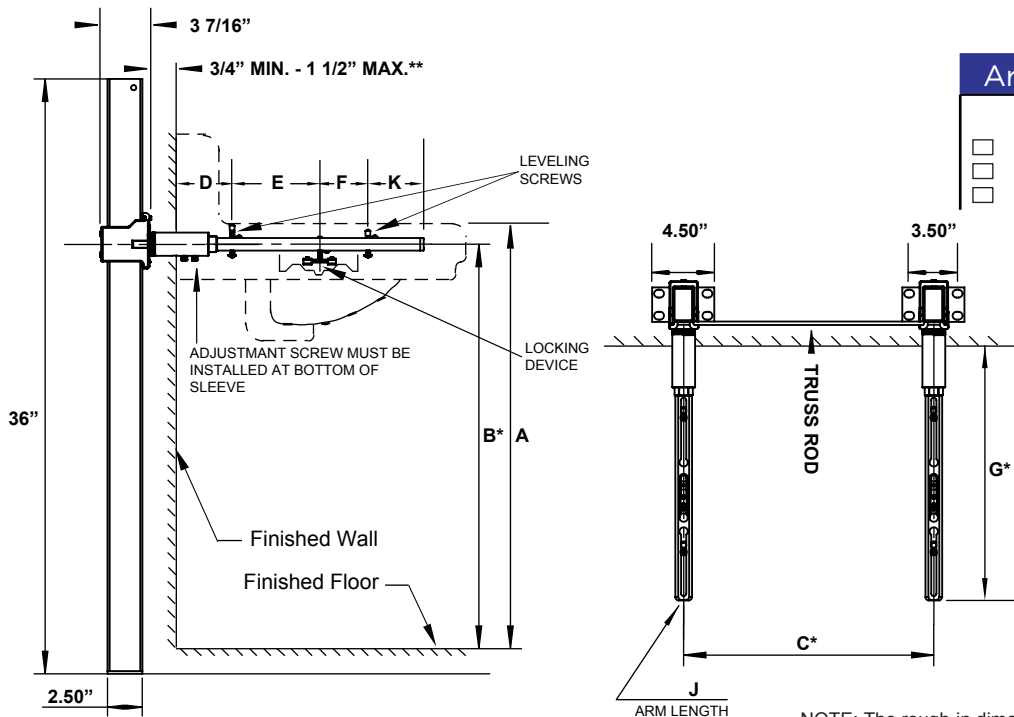
CONCEALED ARM LAVATORY CARRIER FOR GERBER

LOCATION: _____

Specification & Function

Specification: SUN® LC5000 lavatory carrier complete with coated rectangular steel uprights with welded feet, cast iron adjustable header couplings, steel sleeves, concealed arms, a truss rod, and mounting hardware.

Function: Used to support wall hung fixtures so that the load bearing carrier is concealed within the wall.



Arm Length

SIZE	DESCRIPTION
<input type="checkbox"/> -5	15.75" Arm Length
<input type="checkbox"/> -6	18.50" Arm Length
<input type="checkbox"/> -7	22.25" Arm Length

* Variable Dimension. Depends on the fixture
 ** Width Standard Sleeve Length of 4"

Recommend all feet to be secured to floor with 1/2" bolt and anchors supplied by others.

NOTE: The rough-in dimensions listed on this drawing are based on current information available to SUN DRAINAGE by the fixture manufacturers. We recommend that you verify these dimensions with the fixture manufacturer. We will not accept responsibility for rough-in dimension changes by the fixture manufacturer.

ROUGHING-IN TABLE

FIXTURE MFG.	NAME	NUMBER	SIZE	A	B	C	D	E	F	G	J	K	ARM #
Gerber	Hayes	12-384	20X18	31	29 3/4	16 1/2	6	3 1/2	5	15 1/2	15 3/4	1	-5
Gerber	Monticello II	12-651	20X18	31	29 1/2	16 7/16	4 1/4	6	6	16 3/4	15 3/4	1/2	-6
Gerber	Monticello II	12-654	20X18	31	29 1/2	16 7/16	4 1/4	6	6	16 3/4	15 3/4	1/2	-6
Gerber	Monticello II	12-658	20X18	31	29 1/2	16 7/16	4 1/4	6	6	16 3/4	15 3/4	1/2	-6
Gerber	Plymouth	12-314	19 X17	31	29 1/2	16 1/4	4 3/4	5	5	16 3/4	15 3/4	1	-5
Gerber	Eaton	12-464	27X20	34	32 3/8	16 3/4	7 1/2	7	7 1/4	22 1/2	22 1/4	1/2	-7
Gerber	Eaton	12-468	27X20	34	32 3/8	16 3/4	7 1/2	7	7 1/4	22 1/2	22 1/4	1/2	-7

NOTE: *This dimension can be increased when fixture support is to be installed behind the wall. (Specify when required and wall thickness).

PROJECT: _____

CONTRACTOR: _____

LC5000

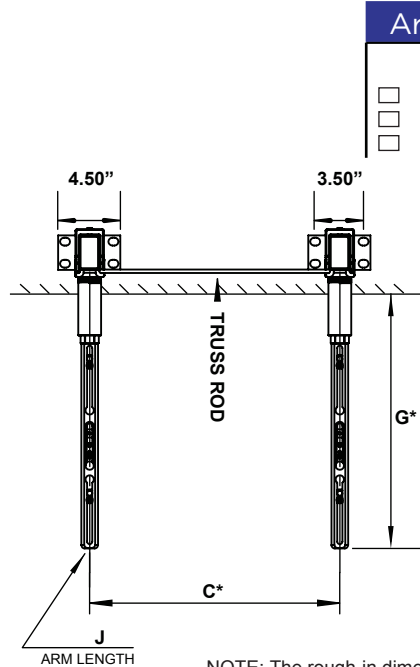
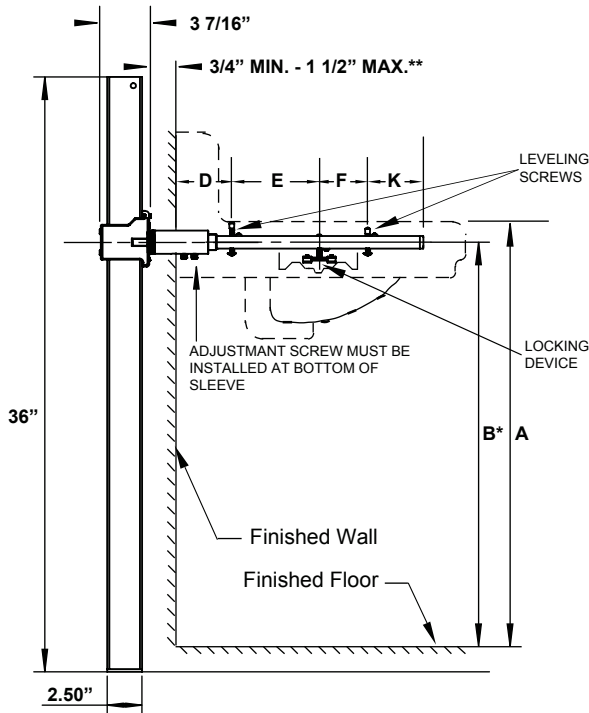
CONCEALED ARM LAVATORY CARRIER FOR SLOAN

LOCATION:

Specification & Function

Specification: SUN® LC5000 lavatory carrier complete with coated rectangular steel uprights with welded feet, cast iron adjustable header couplings, steel sleeves, concealed arms, a truss rod, and mounting hardware.

Function: Used to support wall hung fixtures so that the load bearing carrier is concealed within the wall.



Arm Length

SIZE	DESCRIPTION
<input type="checkbox"/> -5	15.75" Arm Length
<input type="checkbox"/> -6	18.50" Arm Length
<input type="checkbox"/> -7	22.25" Arm Length

* Variable Dimension. Depends on the fixture
 ** Width Standard Sleeve Length of 4"

Recommend all feet to be secured to floor with 1/2" bolt and anchors supplied by others.

NOTE: The rough-in dimensions listed on this drawing are based on current information available to SUN DRAINAGE by the fixture manufacturers. We recommend that you verify these dimensions with the fixture manufacturer. We will not accept responsibility for rough-in dimension changes by the fixture manufacturer.

ROUGHING-IN TABLE

FIXTURE MFG.	NAME	NUMBER	SIZE	A	B	C	D	E	F	G	J	K	ARM #
Sloan	Std. Wall Mount	SS-3003	20X18	31	29 1/4	16 3/4	4	6	6	15	15 3/4	1	-6
Sloan	ADA Wall Mount	SS-3804	27X20	34	32 1/2	16 3/4	7	7	7 1/2	22 1/2	22 1/4	1	-7

NOTE: *This dimension can be increased when fixture support is to be installed behind the wall. (Specify when required and wall thickness).

PROJECT:

CONTRACTOR: